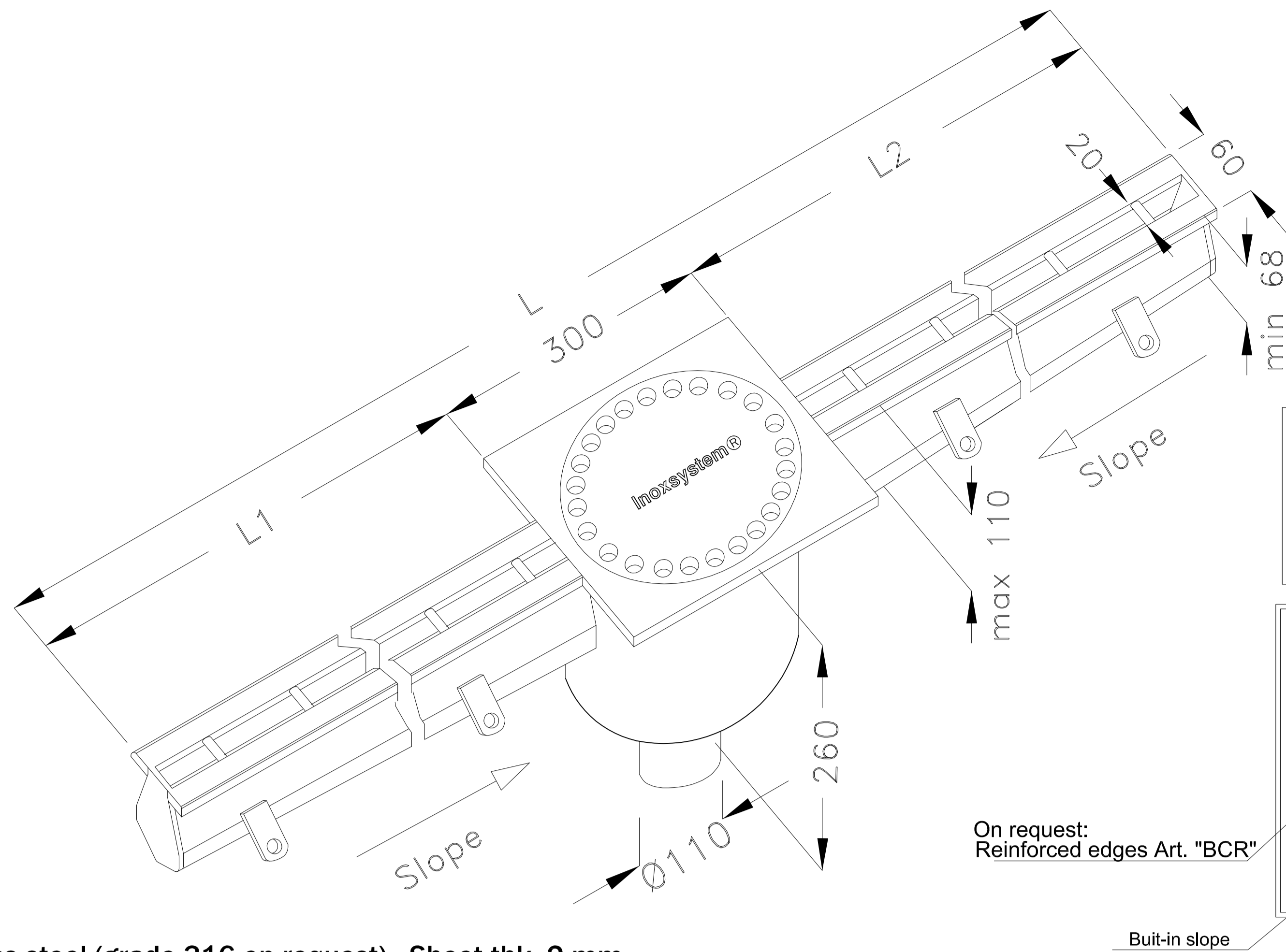


Line
4160

www.inoxsystem.it

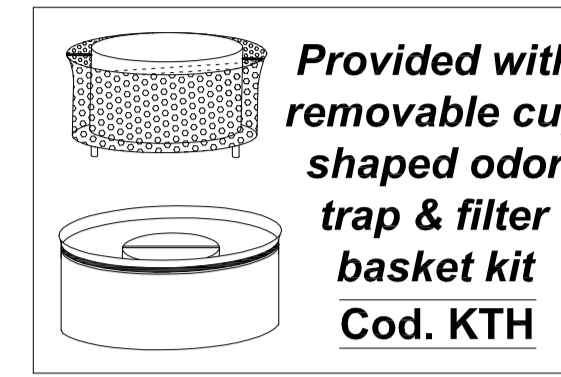
Slot channel with 20 mm standard slot and 300x300x8 mm floor drain
provided with Inoxsystem® Total Hygienic kit composed of removable cup shaped odor trap & filter basket
Entirely made of grade 304 stainless steel (grade 316 on request)



Inoxsystem®

www.inoxsystem.it - info@inoxsystem.it

SLOT CHANNEL WITH 20 mm STANDARD SLOT
300X300 mm FLOOR DRAIN, PLATE THK. 8 mm OUTLET Ø 110 mm
WITH REMOVABLE CUP SHAPED ODOR TRAP & FILTER BASKET KIT
Central vertical outlet with odor trap and filter basket

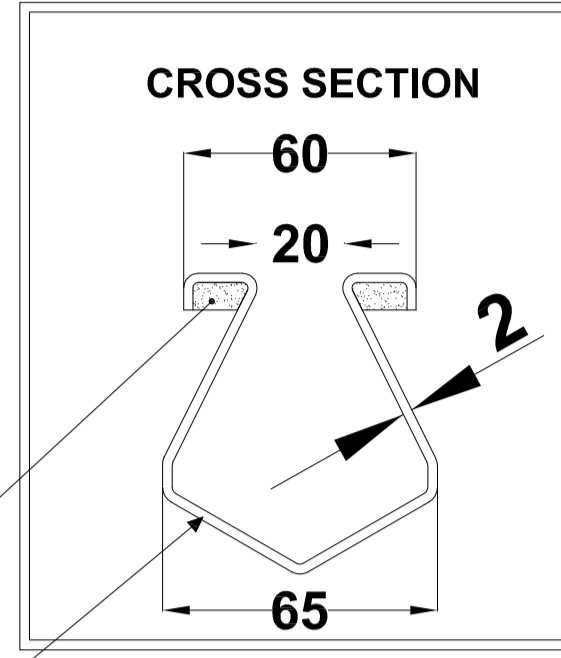


Composed of Art.:

- Slot channel Art. "C2"
- Floor drain with removable odor trap and filter basket Art."CV110308TH"*
- Floor drain - channel connection Art. "UI"
- End cap Art. "TC"

Upon request:

- Epoxy filled edges Art. "BCR"
- Bolted flange connection Art. "FLC"

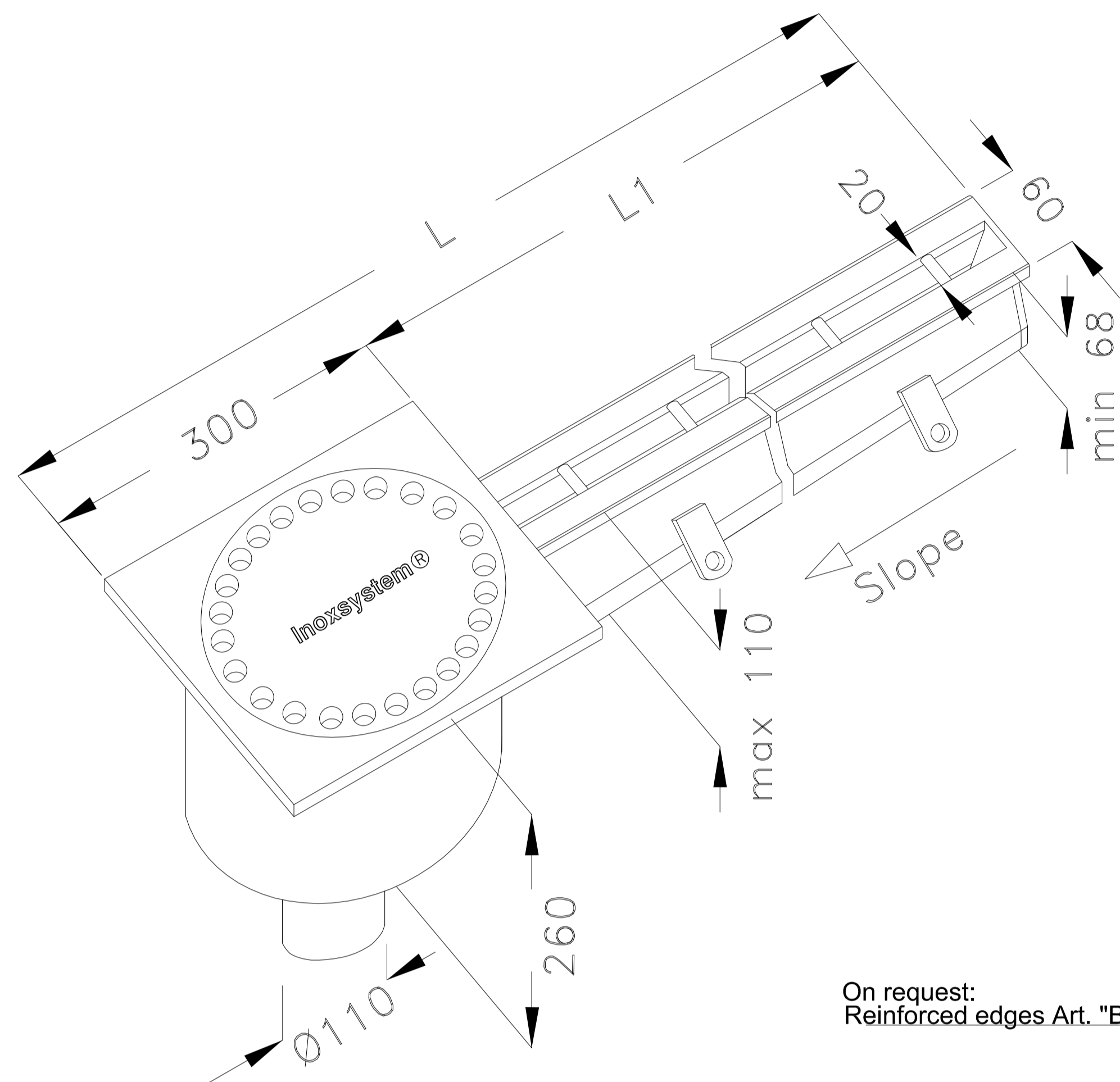


Inoxsystem® Dwg
4163

Art. CFVTH

Grade 304 stainless steel (grade 316 on request) - Sheet thk. 2 mm

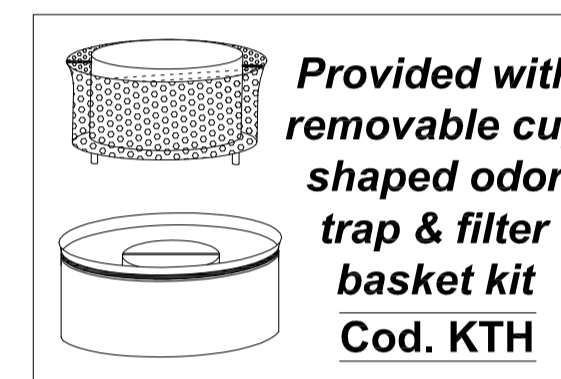
N.B.: all dimensions are in mm



Inoxsystem®

www.inoxsystem.it - info@inoxsystem.it

SLOT CHANNEL WITH 20 mm STANDARD SLOT
300X300 mm FLOOR DRAIN, PLATE THK. 8 mm OUTLET Ø 110 mm
WITH REMOVABLE CUP SHAPED ODOR TRAP & FILTER BASKET KIT
End vertical outlet with odor trap and filter basket

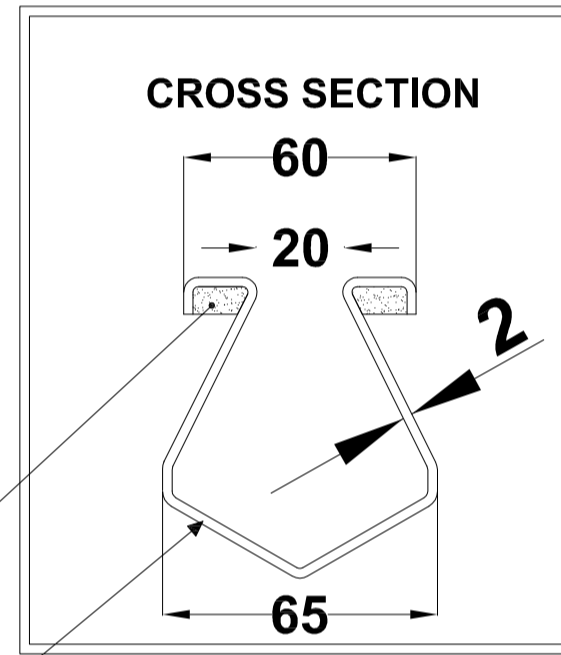


Composed of Art.:

- Slot channel Art. "C2"
- Floor drain with removable odor trap and filter basket Art."CV110308TH"*
- End cap Art. "TC"

Upon request:

- Epoxy filled edges Art. "BCR"
- Bolted flange connection Art. "FLC"

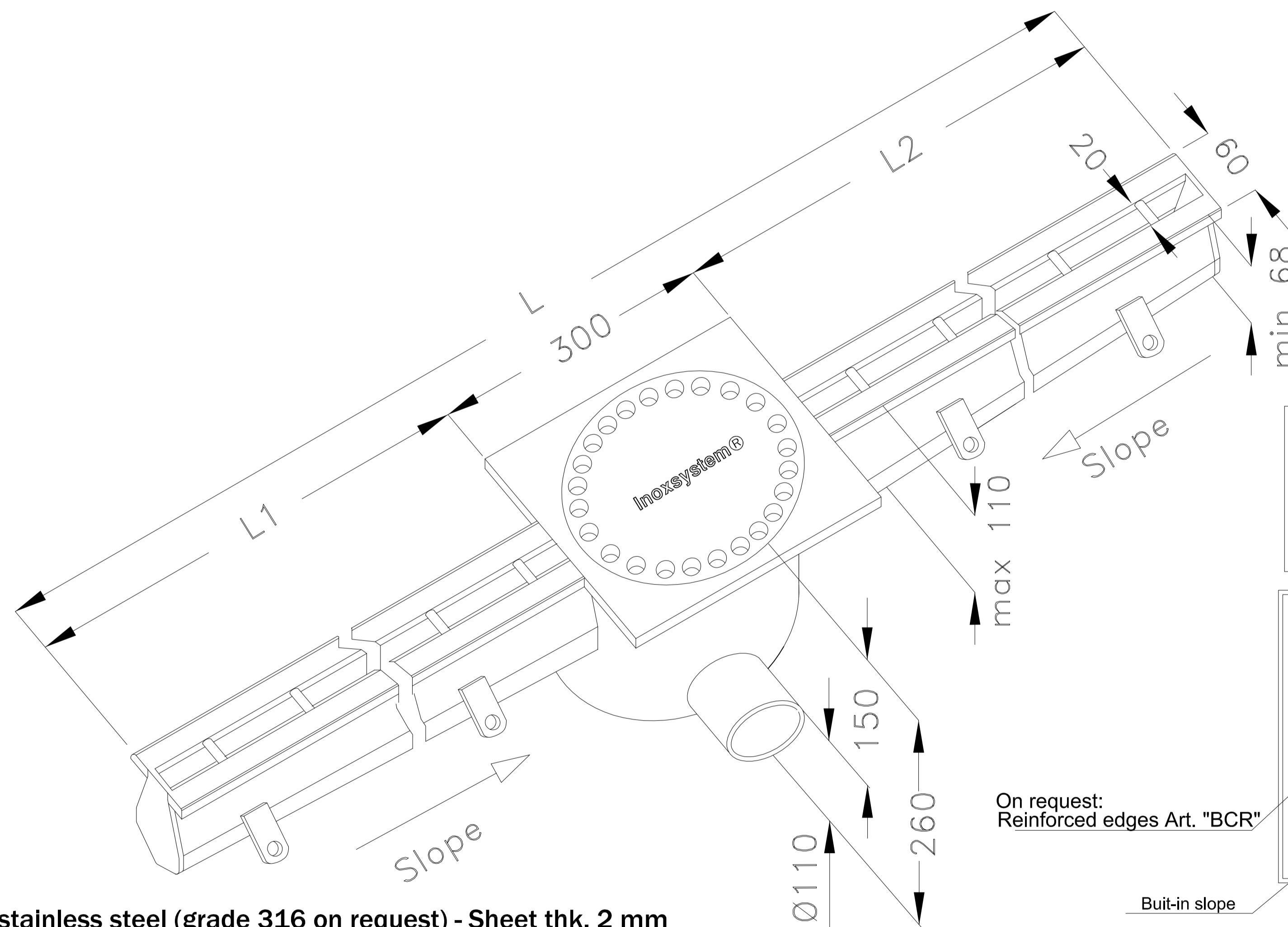


Inoxsystem® Dwg
4164

Art. CFVTHH

Grade 304 stainless steel (grade 316 on request) - Sheet thk. 2 mm

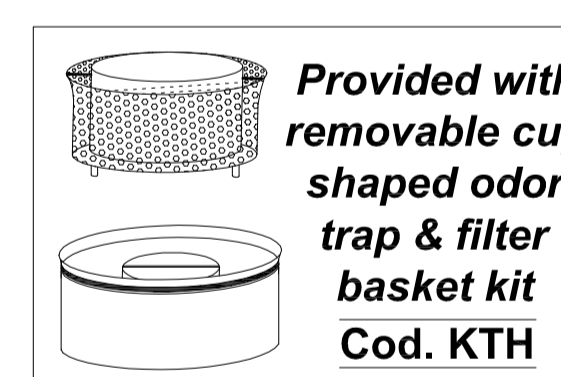
N.B.: all dimensions are in mm



Inoxsystem®

www.inoxsystem.it - info@inoxsystem.it

SLOT CHANNEL WITH 20 mm STANDARD SLOT
300X300 mm FLOOR DRAIN, PLATE THK. 8 mm OUTLET Ø 110 mm
WITH REMOVABLE CUP SHAPED ODOR TRAP & FILTER BASKET KIT
Central horizontal outlet with odor trap and filter basket

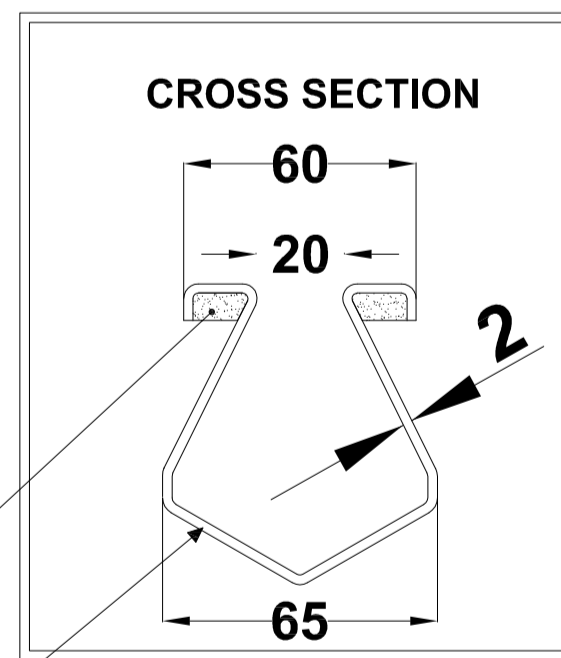


Composed of Art.:

- Slot channel Art. "C2"
- Floor drain with removable odor trap and filter basket Art."URCL110308TH"*
- Floor drain - channel connection Art. "UI"
- End cap Art. "TC"

Upon request:

- Epoxy filled edges Art. "BCR"
- Bolted flange connection Art. "FLC"



Inoxsystem® Dwg
4161

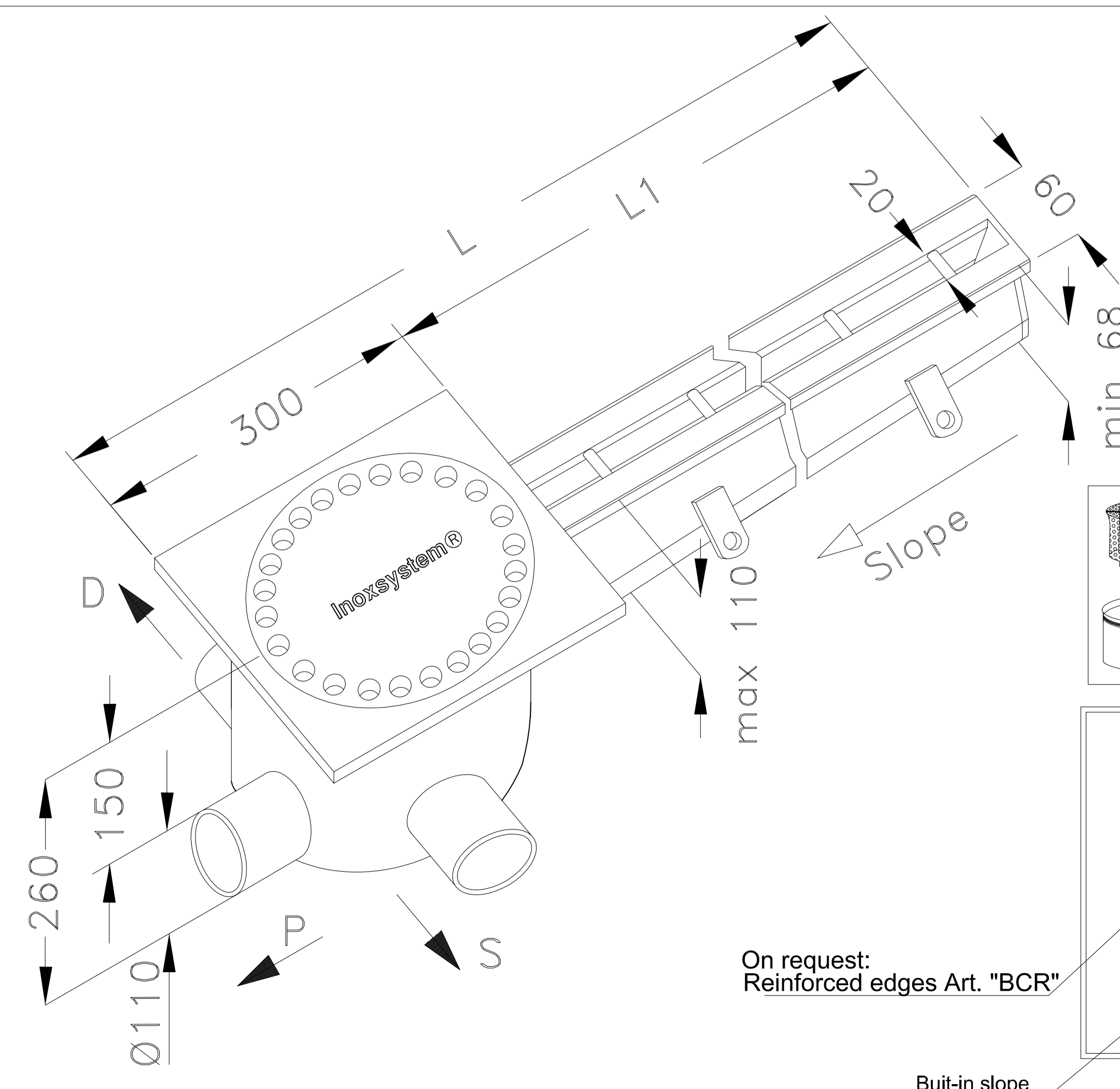
Art. CFOTH

Grade 304 stainless steel (grade 316 on request) - Sheet thk. 2 mm

N.B.: all dimensions are in mm

DIRECTION OF THE OUTLET

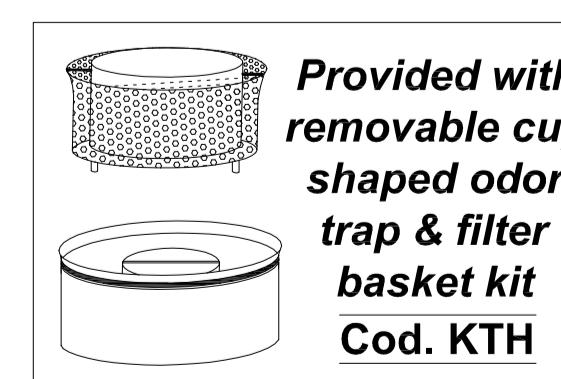
- S - LEFT
- D - RIGHT
- P - STRAIGHT



Inoxsystem®

www.inoxsystem.it - info@inoxsystem.it

SLOT CHANNEL WITH 20 mm STANDARD SLOT
300X300 mm FLOOR DRAIN, PLATE THK. 8 mm OUTLET Ø 110 mm
WITH REMOVABLE CUP SHAPED ODOR TRAP & FILTER BASKET KIT
End horizontal outlet with odor trap and filter basket

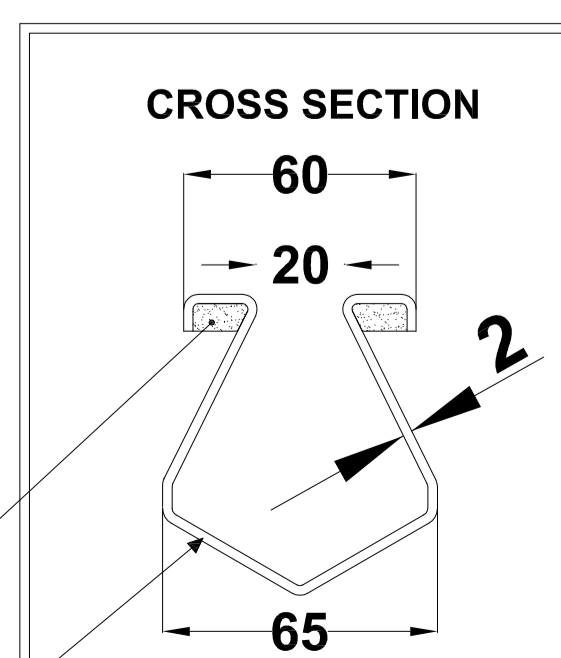


Composed of Art.:

- Slot channel Art. "C2"
- Floor drain with removable odor trap and filter basket Art."URCL110308TH"*
- End cap Art. "TC"

Upon request:

- Epoxy filled edges Art. "BCR"
- Bolted flange connection Art. "FLC"



Inoxsystem® Dwg
4162

Art. CFOTTH

Grade 304 stainless steel (grade 316 on request) - Sheet thk. 2 mm

N.B.: all dimensions are in mm