

Line
2250

www.inoxsystem.it

**Slot channel with gully 300x300 mm with top grating
outlet Ø 110 with odor trap and filter basket
All made in stainless steel Aisi 304 (Aisi 316 Upon request)**

Inoxsystem®

www.Inoxsystem.It - Info@Inoxsystem.It

**SLOT CHANNEL WITH 20 mm STANDARD SLOT
GULLY WITH FRAME 300x300 AND GRATING 250x250, H 25
OUTLET Ø 110 mm WITH ODOR TRAP AND FILTER BASKET
Vertical outlet in the center**

Made of Art.:

- Slot channel Art. "C2"
- Gully with grating with odor trap and filter basket Art."PGV"*
- * Gully with frame mm 300x300, grating mm 250x250 h 25
- Further connection channel in the floor drain Art. "UI"

Upon request:

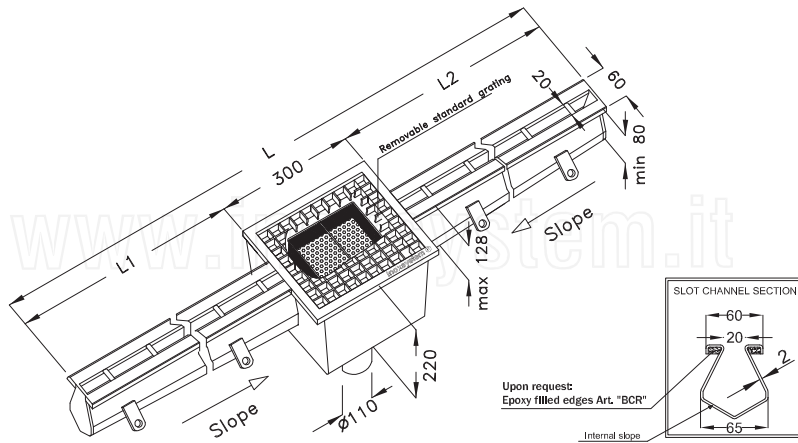
- Epoxy filled edges Art. "BCR"
- Flange connection Art. "FLC"

* all measures can be modified upon request

Dwg Inoxsystem®
2253

Art. CFVCG

N.B.: all measures are in mm



All made in stainless steel 2 mm thickness
Aisi 304/304L(EN 1.4301/1.4307) - Upon request Aisi 316/316L(EN 1.4401/1.4404)

Inoxsystem®

www.Inoxsystem.It - Info@Inoxsystem.It

**SLOT CHANNEL WITH 20 mm STANDARD SLOT
GULLY WITH FRAME 300x300 AND GRATING 250x250, H 25
OUTLET Ø 110 mm WITH ODOR TRAP AND FILTER BASKET
Vertical outlet on the head**

Made of Art.:

- Slot channel Art. "C2"
- Gully with grating with odor trap and filter basket Art."PGV"*
- * Gully with frame mm 300x300, grating mm 250x250 h 25

Upon request:

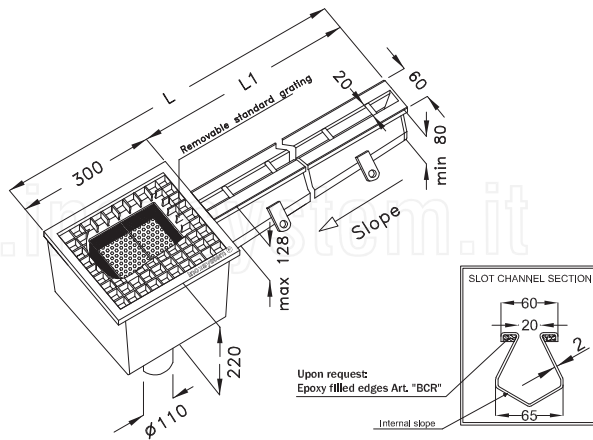
- Epoxy filled edges Art. "BCR"
- Flange connection Art. "FLC"

* all measures can be modified upon request

Dwg Inoxsystem®
2254

Art. CFVTCG

N.B.: all measures are in mm



All made in stainless steel 2 mm thickness
Aisi 304/304L(EN 1.4301/1.4307) - Upon request Aisi 316/316L(EN 1.4401/1.4404)

Inoxsystem®

www.Inoxsystem.It - Info@Inoxsystem.It

**SLOT CHANNEL WITH 20 mm STANDARD SLOT
GULLY WITH FRAME 300x300 AND GRATING 250x250, H 25
OUTLET Ø 110 mm WITH ODOR TRAP AND FILTER BASKET
Horizontal outlet in the center**

Made of Art.:

- Slot channel Art. "C2"
- Gully with grating with odor trap and filter basket Art."PGO"*
- * Gully with frame mm 300x300, grating mm 250x250 h 25
- Further connection channel in the floor drain Art. "UI"

Upon request:

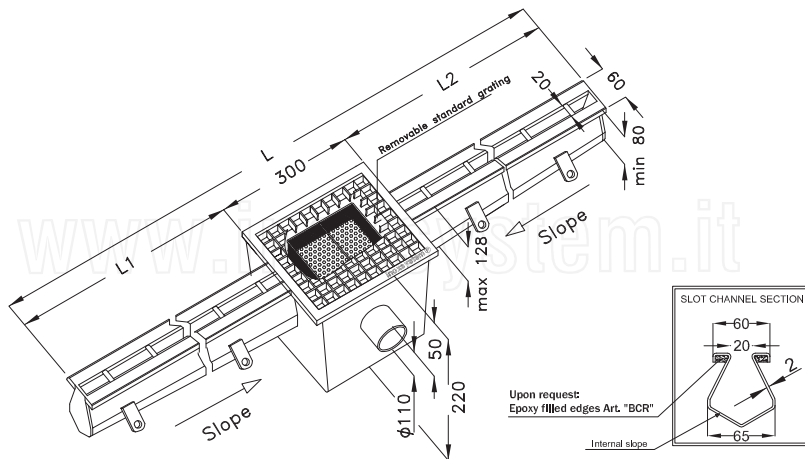
- Epoxy filled edges Art. "BCR"
- Flange connection Art. "FLC"

* all measures can be modified upon request

Dwg Inoxsystem®
2251

Art. CFOCG

N.B.: all measures are in mm



All made in stainless steel 2 mm thickness
Aisi 304/304L(EN 1.4301/1.4307) - Upon request Aisi 316/316L(EN 1.4401/1.4404)

Inoxsystem®

www.inoxsystem.it - info@inoxsystem.it

**SLOT CHANNEL WITH 20 mm STANDARD SLOT
GULLY WITH FRAME 300x300 AND GRATING 250x250, H 25
OUTLET Ø 110 mm WITH ODOR TRAP AND FILTER BASKET
Horizontal outlet on the head**

Made of Art.:

- Slot channel Art. "C2"
- Gully with grating with odor trap and filter basket Art."PGO"*
- * Gully with frame mm 300x300, grating mm 250x250 h 25

Upon request:

- Epoxy filled edges Art. "BCR"
- Flange connection Art. "FLC"

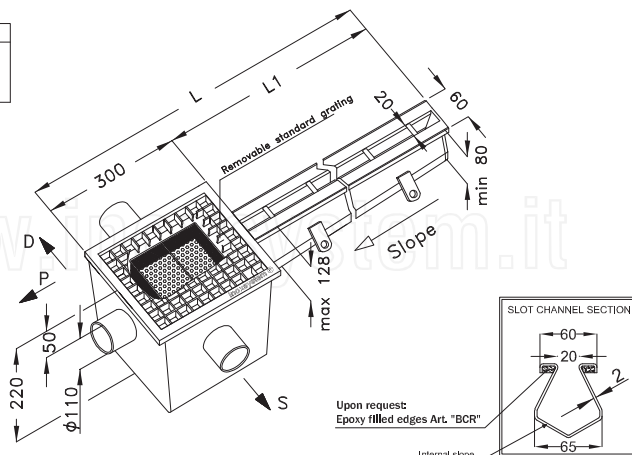
* all measures can be modified upon request

Dwg Inoxsystem®
2252

Art. CFOTCG

N.B.: all measures are in mm

OUTLET PIPE ORIENTATION	
S	-LEFT
D	-RIGHT
P	-STRAIGHT



All made in stainless steel 2 mm thickness
Aisi 304/304L(EN 1.4301/1.4307) - Upon request Aisi 316/316L(EN 1.4401/1.4404)