

Line  
1250

www.inoxsystem.it

**Hell proof slot channel with floor drain with top plate 200x200mm  
outlet Ø 63 with odor trap and filter basket  
All made in stainless steel Aisi 304 (Aisi 316 Upon request)**

**Inoxsystem®**

www.inoxsystem.it - info@inoxsystem.it  
SLOT CHANNEL WITH 8 mm HEELSAFE SLOT  
WITH FLOOR DRAIN WITH PLATE mm 200x200x6  
OUTLET Ø 63 mm WITH ODOR TRAP AND FILTER BASKET  
Vertical outlet in the center

**Made of Art.:**

- Slot channel Art. "C1"
- Floor drain with odor trap and filter basket Art."RCV63206"\*
- \* Reduced holes
- Further connection channel in the floor drain Art. "UI"

**Upon request:**

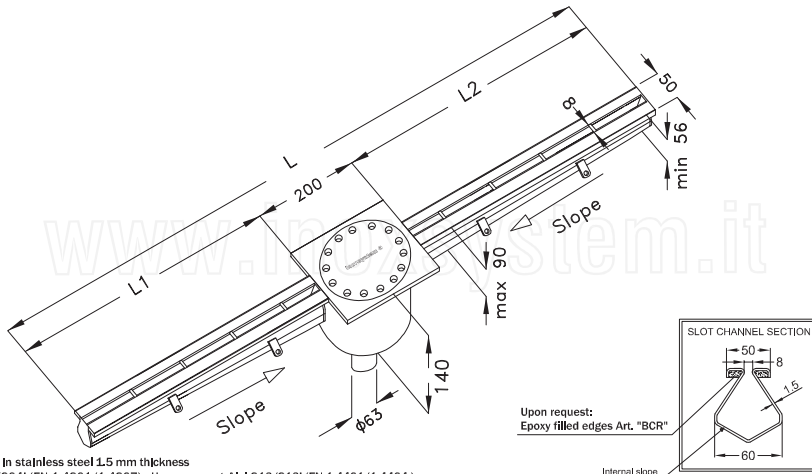
- Epoxy filled edges Art. "BCR"
- Flange connection Art. "FLC"

\* all measures can be modified upon request

Dwg Inoxsystem®  
1253

Art. CFRV

N.B.: all measures are in mm



All made in stainless steel 1.5 mm thickness  
Aisi 304/304L(EN 1.4301/1.4307) - Upon request Aisi 316/316L(EN 1.4401/1.4404)

**Inoxsystem®**

www.inoxsystem.it - info@inoxsystem.it  
SLOT CHANNEL WITH 8 mm HEELSAFE SLOT  
WITH FLOOR DRAIN WITH PLATE mm 200x200x6  
OUTLET Ø 63 mm WITH ODOR TRAP AND FILTER BASKET  
Vertical outlet on the head

**Made of Art.:**

- Slot channel Art. "C1"
- Floor drain with odor trap and filter basket Art."RCV63206"\*
- \* Reduced holes

**Upon request:**

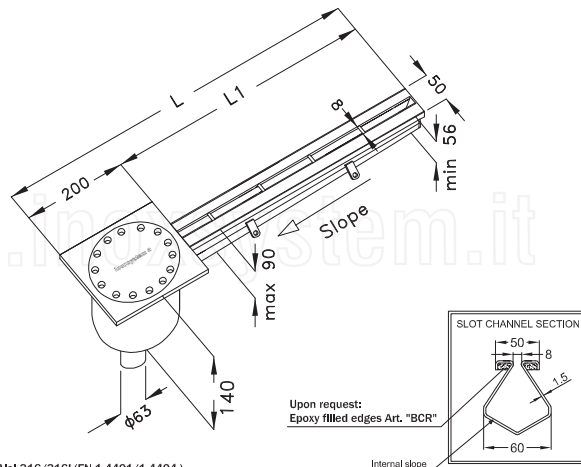
- Epoxy filled edges Art. "BCR"
- Flange connection Art. "FLC"

\* all measures can be modified upon request

Dwg Inoxsystem®  
1254

Art. CFRVT

N.B.: all measures are in mm



All made in stainless steel 1.5 mm thickness  
Aisi 304/304L(EN 1.4301/1.4307) - Upon request Aisi 316/316L(EN 1.4401/1.4404)

**Inoxsystem®**

www.inoxsystem.it - info@inoxsystem.it  
SLOT CHANNEL WITH 8 mm HEELSAFE SLOT  
WITH FLOOR DRAIN WITH PLATE mm 200x200x6  
OUTLET Ø 63 mm WITH ODOR TRAP AND FILTER BASKET  
Horizontal outlet in the center

**Made of Art.:**

- Slot channel Art. "C1"
- Floor drain with odor trap and filter basket Art."CLR63206"\*
- \* Reduced holes
- Further connection channel in the floor drain Art. "UI"

**Upon request:**

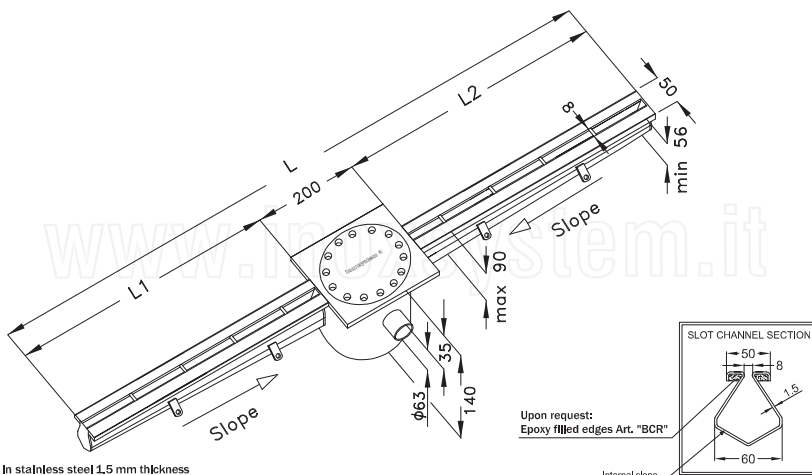
- Epoxy filled edges Art. "BCR"
- Flange connection Art. "FLC"

\* all measures can be modified upon request

Dwg Inoxsystem®  
1251

Art. CFRO

N.B.: all measures are in mm



All made in stainless steel 1.5 mm thickness  
Aisi 304/304L(EN 1.4301/1.4307) - Upon request Aisi 316/316L(EN 1.4401/1.4404)

**Inoxsystem®**

www.inoxsystem.it - info@inoxsystem.it  
SLOT CHANNEL WITH 8 mm HEELSAFE SLOT  
WITH FLOOR DRAIN WITH PLATE mm 200x200x6  
OUTLET Ø 63 mm WITH ODOR TRAP AND FILTER BASKET  
Horizontal outlet on the head

**Made of Art.:**

- Slot channel Art. "C1"
- Floor drain with odor trap and filter basket Art."CLR63206"\*
- \* Reduced holes

**Upon request:**

- Epoxy filled edges Art. "BCR"
- Flange connection Art. "FLC"

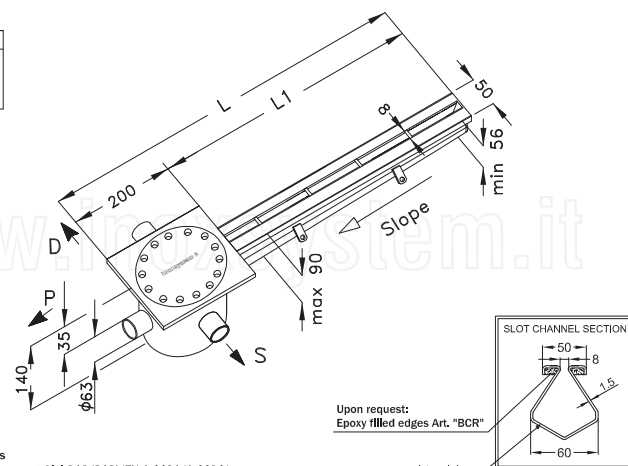
\* all measures can be modified upon request

Dwg Inoxsystem®  
1252

Art. CFROT

N.B.: all measures are in mm

OUTLET PIPE ORIENTATION	
S	-LEFT
D	-RIGHT
P	-STRAIGHT



All made in stainless steel 1.5 mm thickness  
Aisi 304/304L(EN 1.4301/1.4307) - Upon request Aisi 316/316L(EN 1.4401/1.4404)