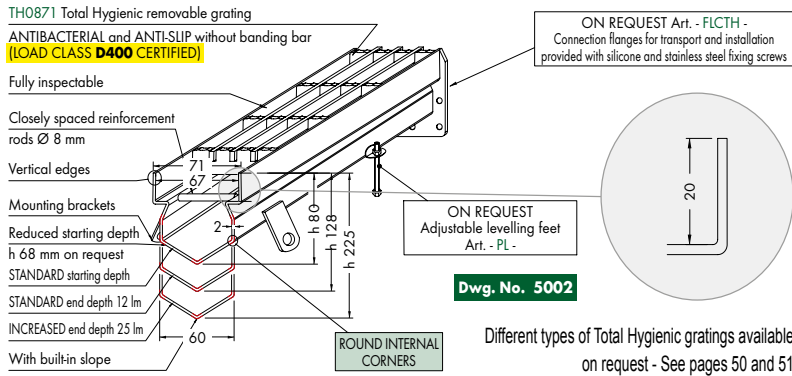


made of grade 304 stainless steel - grade 316 on request

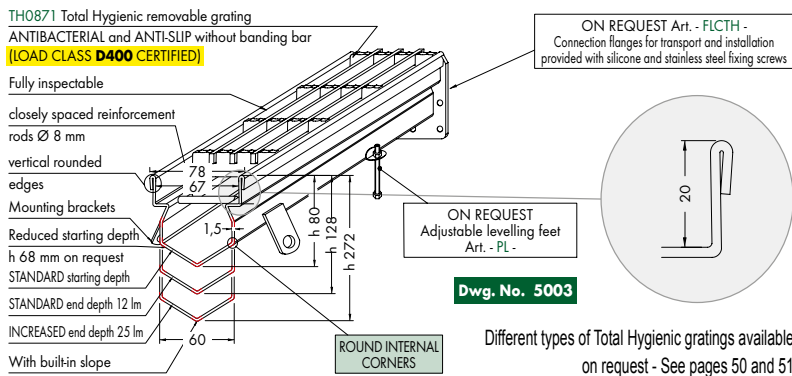
### 71 mm wide Inoxsystem® Total Hygienic channel with vertical edges.



| Article | Description  |
|---------|--|
| TH70BDV | 71 mm wide Inoxsystem® Total Hygienic channel with vertical edges, provided with Total-Hygienic multi slot grating. Entirely made of 4 mm thick stainless steel, this grating is removable, without banding bar, with anti slip serrated micro-shot peened surface, rated for heavy equipment use. |

See page 48  
for accessories

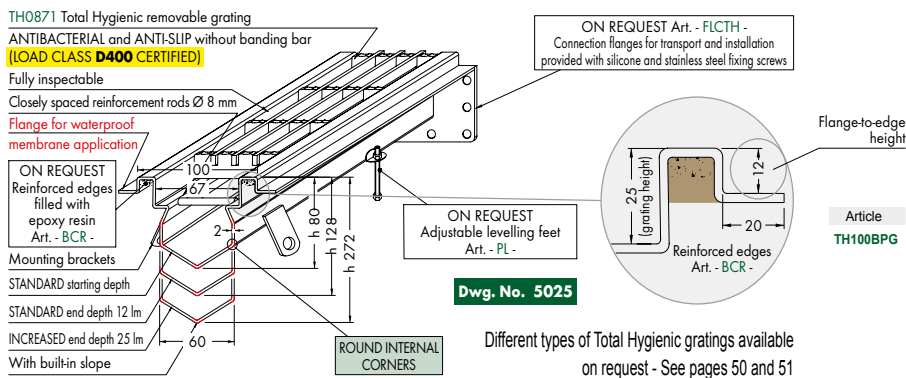
### 78 mm wide Inoxsystem® Total Hygienic channel with vertical FOLDED edges.



| Article | Description   |
|---------|---|
| TH80PS  | 78 mm wide Inoxsystem® Total Hygienic channel with vertical folded edges, provided with Total-Hygienic multi slot grating. Entirely made of 4 mm thick stainless steel, this grating is removable, without banding bar, with anti slip serrated micro-shot peened surface, rated for heavy equipment use. |

See page 48  
for accessories

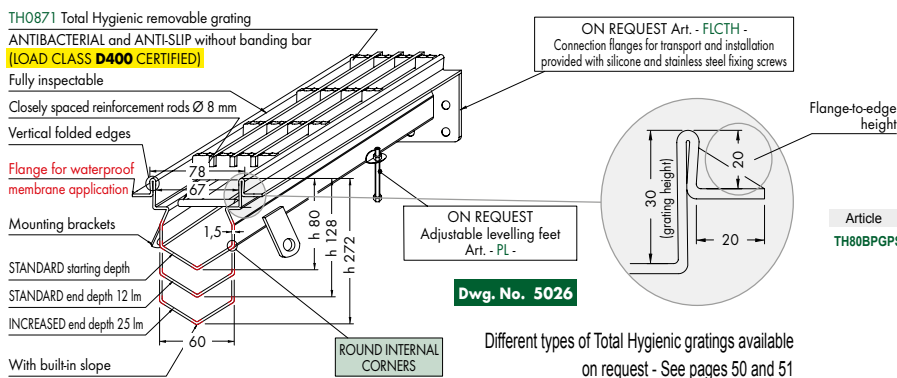
### 100 mm wide Inoxsystem® Total Hygienic channel with visible top edges and flange for waterproof membrane application.



| Article  | Description   |
|----------|---|
| TH100BPG | 100 mm wide Inoxsystem® Total Hygienic channel with satin finished top edge and flange for waterproof membrane application, provided with Total Hygienic multi slot grating. Entirely made of 4 mm thick stainless steel, this grating is removable, without banding bar, with anti slip serrated micro-shot peened surface, rated for heavy equipment use. |

See page 48  
for accessories

### 78 mm wide Inoxsystem® Total Hygienic channel with vertical folded edges and flange for waterproof membrane application.



| Article   | Description  |
|-----------|--|
| TH80BPGPS | 78 mm wide Inoxsystem® Total Hygienic channel with vertical folded edges and flange for waterproof membrane application, provided with Total Hygienic multi slot grating. Entirely made of 4 mm thick stainless steel, this grating is removable, without banding bar, with anti slip serrated micro-shot peened surface, rated for heavy equipment use. |

See page 48  
for accessories

Dimensions can be modified on request

These technical drawings are property of INOXSYSTEM® and cannot be copied or reproduced without our prior written permission

