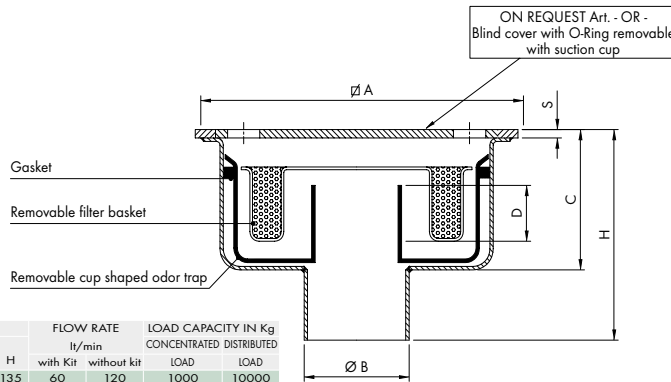


Floor drains with square top plate and vertical outlet, removable Total Hygienic cup shaped odor trap and filter basket.

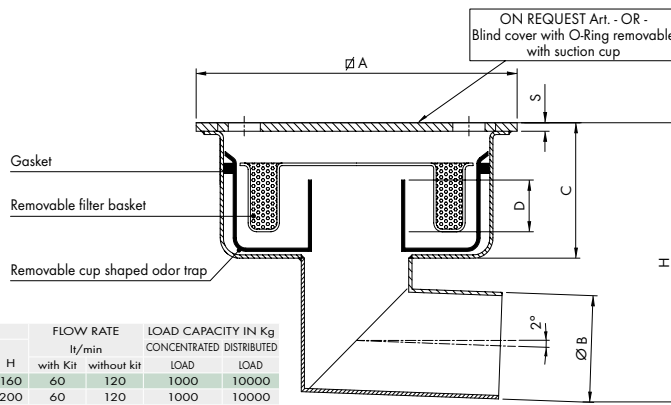


Article	DIMENSIONS in mm							FLOW RATE		LOAD CAPACITY IN Kg	
	Ø A	S	Ø B*	C	D	H	with Kit	without kit	CONCENTRATED	DISTRIBUTED	
R-low profile											
R 75 V 206 TH	200	6	75	70	20	135	60	120	1000	10000	
R 75 V 206 TH	200	6	75	110	50	175	60	120	1000	10000	
R 110 V 206 TH	200	6	110	70	20	135	60	120	1000	10000	
R 110 V 206 TH	200	6	110	110	50	175	60	120	1000	10000	
R 75 V 308 TH	300	8	75	65	20	130	80	240	1000	10000	
R 75 V 308 TH	300	8	75	110	50	175	80	240	1000	10000	
R 110 V 308 TH	300	8	110	65	20	130	135	340	1000	10000	
R 110 V 308 TH	300	8	110	110	50	175	135	340	1000	10000	

Dwg. No. 0115

* Different outlet diameters on request.
N.B. water seal depth (dimension D) of 50 mm in compliance with standard UNI EN 1253-1

Floor drains with square top plate and horizontal outlet, removable Total Hygienic cup shaped odor trap and filter basket.

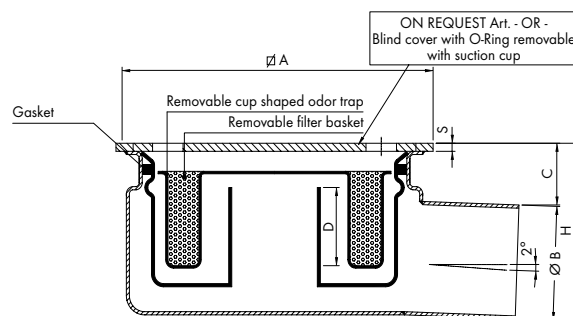


Article	DIMENSIONS in mm							FLOW RATE		LOAD CAPACITY IN Kg	
	Ø A	S	Ø B*	C	D	H	with Kit	without kit	CONCENTRATED	DISTRIBUTED	
R-low profile											
R 75 L 206 TH	200	6	75	70	20	160	60	120	1000	10000	
R 75 L 206 TH	200	6	75	110	50	200	60	120	1000	10000	
R 110 L 206 TH	200	6	110	70	20	195	60	120	1000	10000	
R 110 L 206 TH	200	6	110	110	50	235	60	120	1000	10000	
R 75 L 308 TH	300	8	75	65	20	155	80	240	1000	10000	
R 75 L 308 TH	300	8	75	110	50	200	80	240	1000	10000	
R 110 L 308 TH	300	8	110	65	20	190	135	340	1000	10000	
R 110 L 308 TH	300	8	110	110	50	235	135	340	1000	10000	

Dwg. No. 0012

* Different outlet diameters on request (different overall installation height).
N.B. water seal depth (dimension D) of 50 mm in compliance with standard UNI EN 1253-1

Ultra-low profile floor drains with horizontal outlet, removable Total Hygienic cup shaped odor trap.



Article	DIMENSIONS in mm							FLOW RATE		LOAD CAPACITY IN Kg	
	Ø A	S	Ø B*	C	D	H	with Kit	without kit	CONCENTRATED	DISTRIBUTED	
UR 50 L 206 TH	200	6	50	55	20	105	50	80	1000	10000	
UR 63 L 206 TH	200	6	63	42	20	105	60	120	1000	10000	
UR 75 L 206 TH	200	6	75	50	50	125	60	120	1000	10000	
UR 110 L 206 TH	200	6	110	45	50	155	60	120	1000	10000	
UR 50 L 308 TH	300	8	50	55	20	105	50	100	1000	10000	
UR 63 L 308 TH	300	8	63	42	20	105	60	140	1000	10000	
UR 75 L 308 TH	300	8	75	50	50	125	80	180	1000	10000	
UR 110 L 308 TH	300	8	110	45	50	155	125	340	1000	10000	

Dwg. No. 0002

* Different outlet diameters on request.
N.B. water seal depth (dimension D) of 50 mm in compliance with standard UNI EN 1253-1

The removable cup shaped odor trap makes it possible to empty the wastewater out of the floor drain. It is highly recommended to fill the floor drain with water after cleaning in order to stop smells from coming back up.

