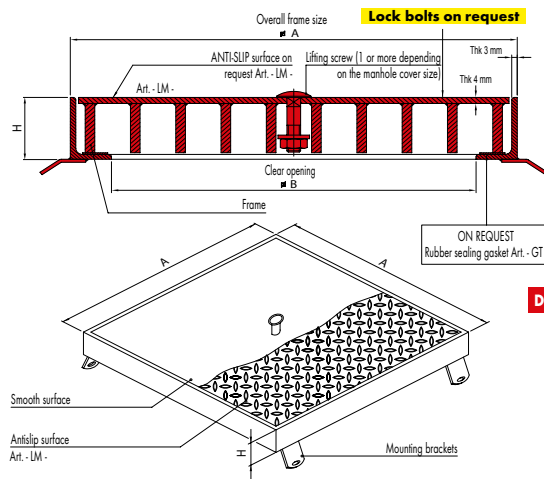


Solid top manhole cover with frame **heavy duty line**

made of grade 304 stainless steel - grade 316 on request
plate thickness 3-4-6-8 mm **with reinforcing bars.**



Dwg. No. 0701



* = These values depend on the type of concrete. It is possible to install electro-welded galvanized wire mesh (not provided) to reinforce concrete.
N.B. - All dimensions can be modified on request.

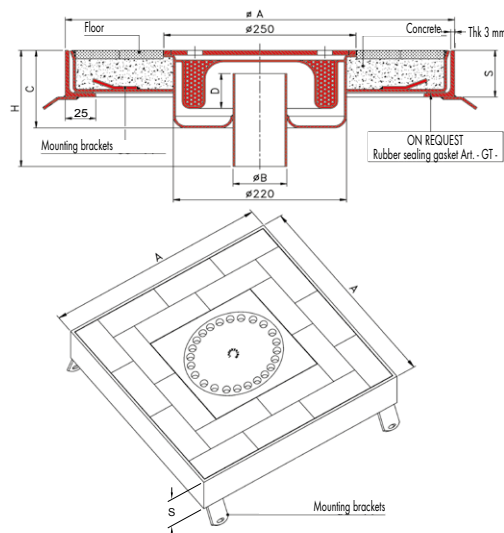
Article	DIMENSIONS IN mm			LOAD CAPACITY IN Kg*		LOAD CLASS*	Article	DIMENSIONS IN mm			LOAD CAPACITY IN Kg*		LOAD CLASS*
	Ø A	Ø B	H	CONCENTRATED LOAD	DISTRIBUTED LOAD			CONCENTRATED LOAD	DISTRIBUTED LOAD				
S 250	250	200	35	1000	10000	C250	S 550	550	500	35	850	6500	B125
S 300	300	250	35	1000	10000	C250	S 600	600	550	35	850	6500	B125
S 350	350	300	35	1000	10000	C250	S 650	650	600	35	850	6500	B125
S 400	400	350	35	1000	10000	C250	S 700	700	650	35	850	6500	B125
S 450	450	400	35	1000	10000	C250	S 750	750	700	35	850	6500	B125
S 500	500	450	35	1000	10000	C250	S 800	800	750	35	850	6500	B125

* Other plate thickness on request

* Other plate thickness on request

Recessed manhole cover with frame **heavy duty line**

plate thickness 3 mm, floor drain with 8 mm thick top cover incorporated.



Dwg. No. 0752



With vertical outlet and removable filter basket

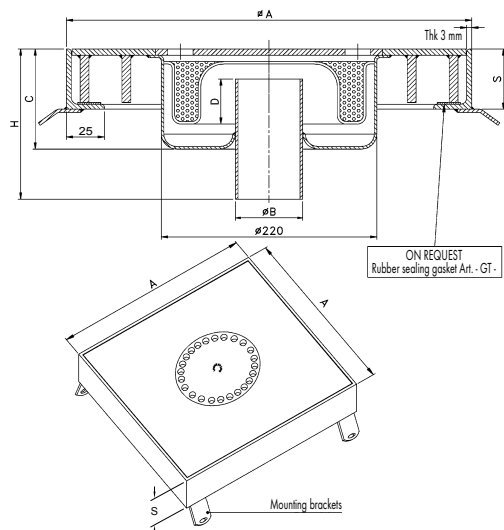
* = These values depend on the type of concrete.
It is possible to install electro-welded galvanized wire mesh (not provided) to reinforce concrete.
N.B. - All dimensions can be modified on request.

Article	DIMENSIONS IN mm						FLOW RATE lt/min	LOAD CAPACITY IN Kg*		LOAD CLASS*
	Ø A	S	Ø B	C	D	H		CONCENTRATED LOAD	DISTRIBUTED LOAD	
S500P 110 VCE	500	60	110	110	50	180	13.5	850	6500	B125
S600P 110 VCE	600	60	110	110	50	180	13.5	850	6500	B125
S700P 110 VCE	700	60	110	110	50	180	13.5	850	6500	B125
S800P 110 VCE	800	60	110	110	50	180	13.5	850	6500	B125

N.B. gullies with a depth water seal (dimension D) of 50 mm are in compliance with standard UNI EN 1253-1

Solid top manhole cover with frame **heavy duty line**

plate thickness 3-6-8 mm with reinforcing bars, odor trap incorporated.



Dwg. No. 0122



With vertical outlet and removable filter basket

* = These values can change depending on sheet thickness and overall dimensions
N.B. - All dimensions can be modified on request

Article	DIMENSIONS IN mm						FLOW RATE lt/min	LOAD CAPACITY IN Kg*		LOAD CLASS*
	Ø A	S	Ø B	C	D	H		CONCENTRATED LOAD	DISTRIBUTED LOAD	
S400 110 VCE	400	35	110	110	50	180	13.5	850	6500	B125
S500 110 VCE	500	35	110	110	50	180	13.5	850	6500	B125
S600 110 VCE	600	35	110	110	50	180	13.5	850	6500	B125
S700 110 VCE	700	35	110	110	50	180	13.5	850	6500	B125
S800 110 VCE	800	35	110	110	50	180	13.5	850	6500	B125

N.B. gullies with a depth water seal (dimension D) of 50 mm are in compliance with standard UNI EN 1253-1