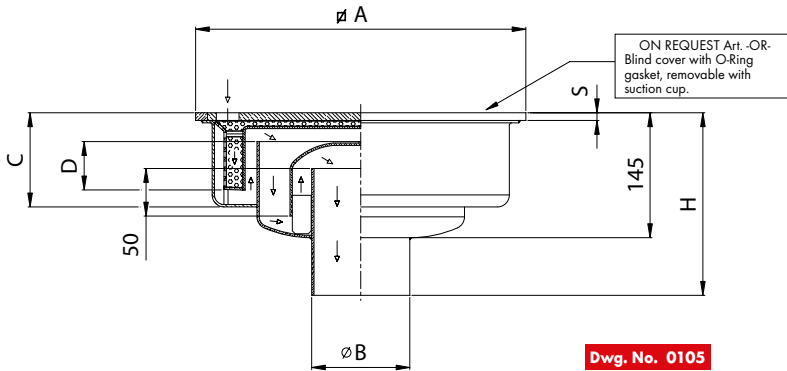
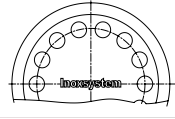


made of grade 304 stainless steel - grade 316 on request

### Floor drains with square top plate and double odor trap vertical outlet and removable filter basket.



N.B. - Round top cover on request **Art. pt.**  
- See page 30 for other cover patterns **Art. ptf.**

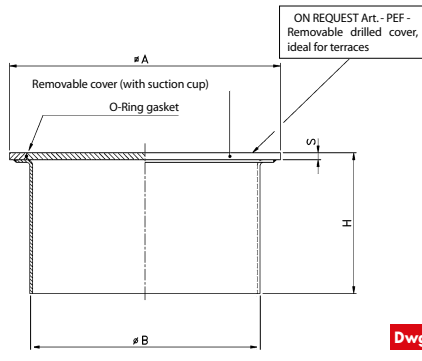


Article	DIMENSIONS IN mm						FLOW RATE l/min	LOAD CAPACITY IN Kg	
	∅ A	S	∅ B	C	D	H		CONCENTRATED LOAD	DISTRIBUTED LOAD
110 V 358 DS	350	8	110	130	50	220	120	850	6500

Horizontal outlet on request

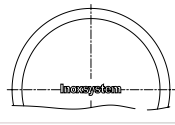
- Different outlet diameters on request - heavy duty top covers made from 6/8 mm thick stainless steel plate

### Square top clean outs with blind cover and O-Ring gasket.



On request: we can provide suction cup **Art. Ventosa**

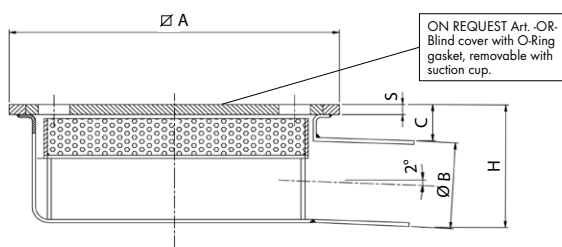
N.B. - Round top cover on request **Art. pt.**  
- See page 30 for other cover patterns **Art. ptf.**



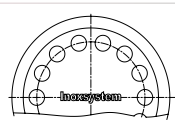
Article	DIMENSIONS IN mm				LOAD CAPACITY IN Kg		Drilled cover ideal for terraces available
	∅ A	S	∅ B	H	CONCENTRATED LOAD	DISTRIBUTED LOAD	
75 OR 106	100	6	75	50	1000	10000	Drilled cover ideal for terraces available
110 OR 156	150	6	110	50	1000	10000	
160 OR 206	200	6	160	50	1000	10000	Drilled cover ideal for terraces available
215 OR 258	250	8	215	50	1000	10000	
215 OR 308	300	8	215	50	1000	10000	
315 OR 358	350	8	315	50	900	8000	

- Different outlet diameters on request - heavy duty top covers made from 6/8 mm thick stainless steel plate

### Ultra-low profile floor drains with direct outlet for applications where installation height is limited.



N.B. - Round top cover on request **Art. pt.**  
- See page 30 for other cover patterns **Art. ptf.**



N.B. - All dimensions can be customized on request

Article	DIMENSIONS IN mm					FLOW RATE l/min	LOAD CAPACITY IN Kg	
	∅ A	S	∅ B	C	H		CONCENTRATED LOAD	DISTRIBUTED LOAD
D 40 L 106	100	6	40	20	60	50	1000	10000
D 50 L 156	150	6	50	20	70	80	1000	10000
D 63 L 206	200	6	63	22	85	100	1000	10000
D 75 L 206	200	6	75	25	100	120	1000	10000
D 75 L 258	250	8	75	25	100	160	1000	10000
D 110 L 308	300	8	110	30	140	340	1000	10000

- Different outlet diameters on request - heavy duty top covers made from 6/8 mm thick stainless steel plate

Dimensions can be modified on request.

These technical drawings are property of INOXSYSTEM® and cannot be copied or reproduced without our prior written permission.