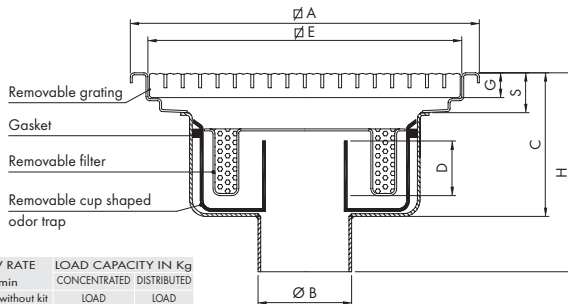


Gullies with grating and vertical outlet removable TotalHygienic internal odor trap pipe and filter basket.



Provided with removable cup shaped odor trap+filter basket kit
Code KTH

Dwg. N° 0511



Article	DIMENSION IN mm								FLOW RATE		LOAD CAPACITY IN Kg	
	R-ribassato	Ø A	E	G	S	Ø B	C	D	H	with Kit	without kit	LOAD CONCENTRATED
R PGV 200 75 TH	200	170	20	25	75*	90	20	150	60	160	850	6500
PGV 200 75 TH	200	170	20	25	75*	130	50	190	60	160	850	6500
R PGV 200 110 TH	200	170	20	25	110*	90	20	150	60	240	850	6500
PGV 200 110 TH	200	170	20	25	110*	130	50	190	60	240	850	6500
R PGV 300 75 TH	300	250	25	45	75*	110	20	170	80	180	850	6500
PGV 300 75 TH	300	250	25	45	75*	150	50	210	80	180	850	6500
R PGV 300 110 TH	300	250	25	45	110*	110	20	170	135	340	850	6500
PGV 300 110 TH	300	250	25	45	110*	150	50	210	135	340	850	6500
R PGV 400 110 TH	400	350	25	45	110*	110	20	170	135	340	600	5000
PGV 400 110 TH	400	350	25	45	110*	150	50	210	135	340	600	5000
R PGV 500 110 TH	500	450	25	45	110*	110	20	170	135	340	450	3500
PGV 500 110 TH	500	450	25	45	110*	150	50	210	135	340	450	3500

* Different diameters on request.

N.B.: A depth water seal (dimension D) of 50 mm is in compliance with standard UNI EN 1253-1

Total Hygienic Multislot grating without frame
ANTIBACTERIAL + ANTI-SLIP

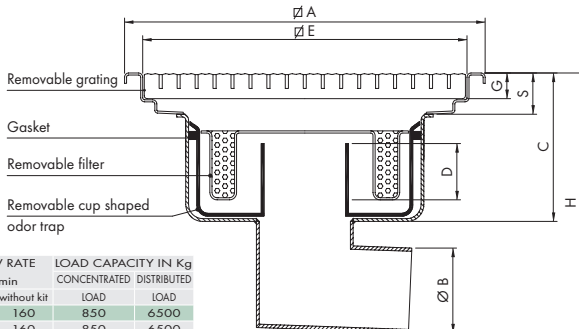


Gullies with grating and horizontal outlet removable Total Hygienic internal odor trap pipe and filter basket.



Provided with removable cup shaped odor trap+filter basket kit
Code KTH

Dwg. N° 0411



Article	DIMENSION IN mm								FLOW RATE		LOAD CAPACITY IN Kg	
	R-ribassato	Ø A	E	G	S	Ø B	C	D	H	with Kit	without kit	LOAD CONCENTRATED
R PGO 200 75 TH	200	170	20	25	75*	90	20	180	60	160	850	6500
PGO 200 75 TH	200	170	20	25	75*	130	50	220	60	160	850	6500
R PGO 200 110 TH	200	170	20	25	110*	90	20	180	60	240	850	6500
PGO 200 110 TH	200	170	20	25	110*	130	50	255	60	240	850	6500
R PGO 300 75 TH	300	250	25	45	75*	110	20	200	80	180	850	6500
PGO 300 75 TH	300	250	25	45	75*	150	50	240	80	180	850	6500
R PGO 300 110 TH	300	250	25	45	110*	110	20	235	135	340	850	6500
PGO 300 110 TH	300	250	25	45	110*	150	50	275	135	340	850	6500
R PGO 400 110 TH	400	350	25	45	110*	110	20	235	135	340	600	5000
PGO 400 110 TH	400	350	25	45	110*	150	50	275	135	340	600	5000
R PGO 500 110 TH	500	450	25	45	110*	110	20	235	135	340	450	3500
PGO 500 110 TH	500	450	25	45	110*	150	50	275	135	340	450	3500

* Different diameters on request.

N.B.: A depth water seal (dimension D) of 50 mm is in compliance with standard UNI EN 1253-1

Total Hygienic Multislot grating without frame
ANTIBACTERIAL + ANTI-SLIP

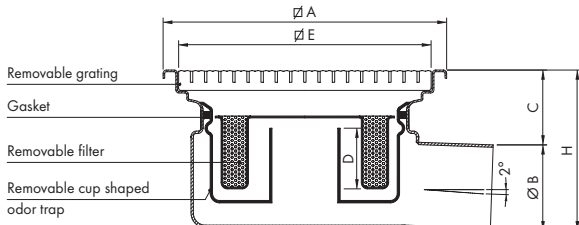


Gullies with grating with horizontal outlet, removable TotalHygienic cup shaped odor trap.



Provided with removable cup shaped odor trap+filter basket kit
Code KTH

Dwg. N° 0409

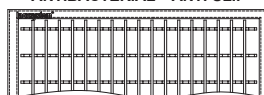


Article	DIMENSION IN mm								FLOW RATE		LOAD CAPACITY IN Kg	
	R-ribassato	Ø A	E	G	S	Ø B	C	D	H	with Kit	without kit	LOAD CONCENTRATED
UR PGO 200 50 TH	200	170	20	25	50*	55	20	105	50	80	850	6500
UR PGO 200 63 TH	200	170	20	25	63*	57	20	125	60	120	850	6500
UR PGO 200 75 TH	200	170	20	25	75*	60	50	140	60	160	850	6500
UR PGO 200 110 TH	200	170	20	25	110*	60	50	170	60	240	850	6500
UR PGO 300 50 TH	300	250	25	45	50*	75	20	120	50	100	850	6500
UR PGO 300 63 TH	300	250	25	45	63*	77	20	140	60	140	850	6500
UR PGO 300 75 TH	300	250	25	45	75*	80	50	160	80	180	850	6500
UR PGO 300 110 TH	300	250	25	45	110*	80	50	190	135	340	850	6500
UR PGO 400 110 TH	400	350	25	45	110*	80	50	190	135	340	600	5000
UR PGO 500 110 TH	500	450	25	45	110*	80	50	190	135	340	450	3500

* Different diameters on request.

N.B.: A depth water seal (dimension D) of 50 mm is in compliance with standard UNI EN 1253-1

Total Hygienic Multislot grating without frame
ANTIBACTERIAL + ANTI-SLIP



The removable cup shaped odor trap makes it possible to empty the wastewater out of the floor drain. It is highly recommended to fill the floor drain with water after cleaning in order to stop smells from coming back up.

TOTAL HYGIENIC DRAINAGE SYSTEMS

