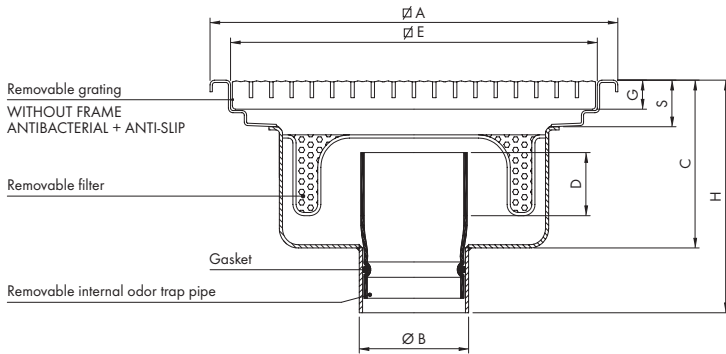
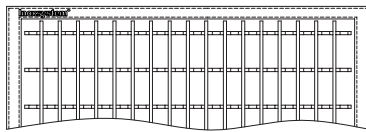


made in stainless steel AISI 304 - AISI 316 upon request

Gullies with grating and vertical outlet removable TotalHygienic internal odor trap pipe and filter basket.



Total Hygienic Multislot grating without frame
ANTIBACTERIAL + ANTI-SLIP



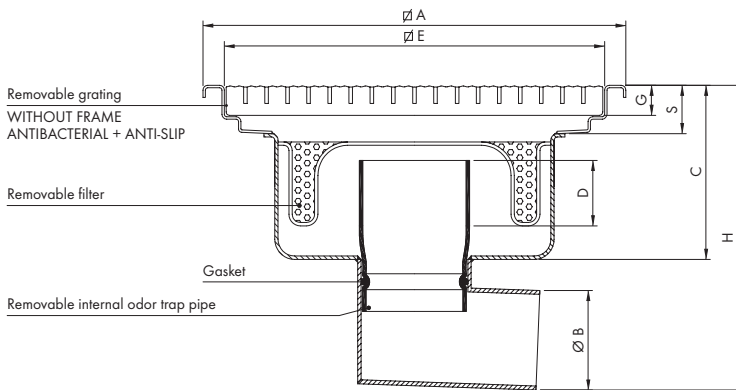
Dwg. N° 0510

Article	DIMENSION IN mm								FLOW RATE		LOAD CAPACITY IN Kg	
	R-ribassato	$\varnothing A$	E	G	S	$\varnothing B$	C	D	H	with Kit	without kit	LOAD
R PGV 200 75 E	200	170	20	25	75*	90	20	150	60	160	850	6500
PGV 200 75 E	200	170	20	25	75*	130	50	190	60	160	850	6500
R PGV 300 75 E	300	250	25	45	75*	110	20	170	80	180	850	6500
PGV 300 75 E	300	250	25	45	75*	150	50	210	80	180	850	6500
R PGV 300 110 E	300	250	25	45	110*	110	20	170	135	340	850	6500
PGV 300 110 E	300	250	25	45	110*	150	50	210	135	340	850	6500
R PGV 400 110 E	400	350	25	45	110*	110	20	170	135	340	600	5000
PGV 400 110 E	400	350	25	45	110*	150	50	210	135	340	600	5000
R PGV 500 110 E	500	450	25	45	110*	110	20	170	135	340	450	3500
PGV 500 110 E	500	450	25	45	110*	150	50	210	135	340	450	3500

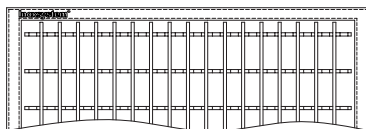


* Outlet \varnothing 63 mm available on request.
N.B.: A depth water seal (dimension D) of 50 mm is in compliance with standard UNI EN 1253-1

Gullies with grating and horizontal outlet removable Total Hygienic internal odor trap pipe and filter basket.



Total Hygienic Multislot grating without frame
ANTIBACTERIAL + ANTI-SLIP



Dwg. N° 0410

Article	DIMENSION IN mm								FLOW RATE		LOAD CAPACITY IN Kg	
	R-ribassato	$\varnothing A$	E	G	S	$\varnothing B$	C	D	H	with Kit	without kit	LOAD
R PGO 200 75 E	200	170	20	25	75*	90	20	200	60	160	850	6500
PGO 200 75 E	200	170	20	25	75*	130	50	240	60	160	850	6500
R PGO 300 75 E	300	250	25	45	75*	110	20	220	80	180	850	6500
PGO 300 75 E	300	250	25	45	75*	150	50	260	80	180	850	6500
R PGO 300 110 E	300	250	25	45	110*	110	20	270	135	340	850	6500
PGO 300 110 E	300	250	25	45	110*	150	50	310	135	340	850	6500
R PGO 400 110 E	400	350	25	45	110*	110	20	270	135	340	600	5000
PGO 400 110 E	400	350	25	45	110*	150	50	310	135	340	600	5000
R PGO 500 110 E	500	450	25	45	110*	110	20	270	135	340	450	3500
PGO 500 110 E	500	450	25	45	110*	150	50	310	135	340	450	3500



* Outlet \varnothing 63 mm available on request (lower overall installation height).
N.B.: A depth water seal (dimension D) of 50 mm is in compliance with standard UNI EN 1253-1

By removing both the filter and internal pipe the wastewater flows and the floor drain should be thoroughly cleaned. It is highly recommended to fill the floor drain with water after cleaning in order to stop smells from coming back up.