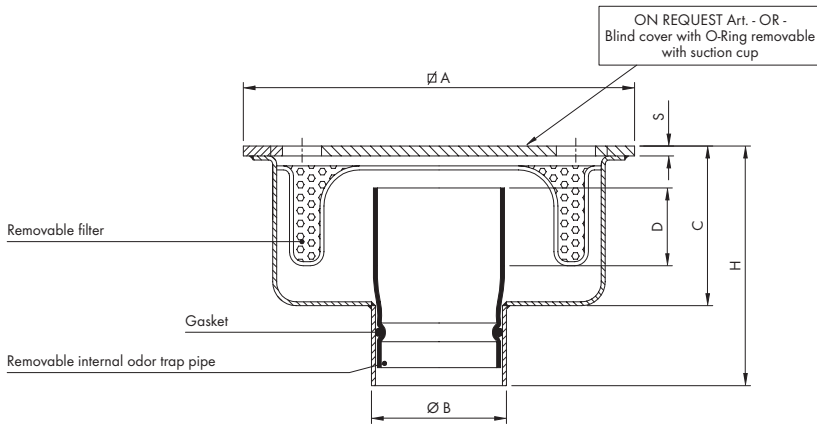


made in stainless steel AISI 304 - AISI 316 upon request

### Floor drains with square top plate and vertical outlet removable Total Hygienic internal odor trap pipe and filter bas



Dwg. N° 0116

Article	DIMENSION in mm						FLOW RATE		LOAD CAPACITY IN Kg	
	S	Ø A	Ø B	C	D	H	with Kit	without kit	CONCENTRATED	DISTRIBUTED
R-ribassato										
R 75 V 206 E	6	200	75*	70	20	130	60	120	1000	10000
75 V 206 E	6	200	75*	110	50	170	60	120	1000	10000
R 75 V 308 E	8	300	75*	70	20	130	80	180	1000	10000
75 V 308 E	8	300	75*	110	50	170	80	180	1000	10000
R 110 V 308 E	8	300	110*	70	20	130	135	340	1000	10000
110 V 308 E	8	300	110*	110	50	170	135	340	1000	10000

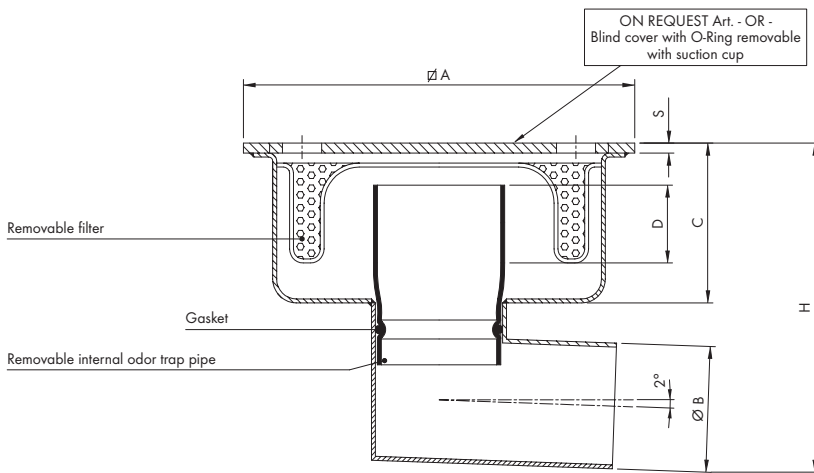
\* Outlet Ø 63 mm available on request.  
N.B.: A depth water seal (dimension D) of 50 mm is in compliance with standard UNI EN 1253-1



Provided with removable odor trap pipe+filter basket kit Code KE



### Floor drains with square top plate and horizontal outlet removable TotalHygienic internal odor trap pipe and filter basket.



Dwg. N° 0016

Article	DIMENSION in mm						FLOW RATE		LOAD CAPACITY IN Kg	
	S	Ø A	Ø B	C	D	H	with Kit	without kit	CONCENTRATED	DISTRIBUTED
R-ribassato										
R 75 L 206 E	6	200	75*	70	20	180	60	120	1000	10000
75 L 206 E	6	200	75*	110	50	220	60	120	1000	10000
R 75 L 308 E	8	300	75*	70	20	180	80	180	1000	10000
75 L 308 E	8	300	75*	110	50	220	80	180	1000	10000
R 110 L 308 E	8	300	110*	70	20	230	135	340	1000	10000
110 L 308 E	8	300	110*	110	50	270	135	340	1000	10000

\* Outlet Ø 63 mm available on request (lower overall installation height).  
N.B.: A depth water seal (dimension D) of 50 mm is in compliance with standard UNI EN 1253-1



Provided with removable odor trap pipe+filter basket kit Code KE



By removing both the filter and internal pipe the wastewater flows and the floor drain should be thoroughly cleaned. It is highly recommended to fill the floor drain with water after cleaning in order to stop smells from coming back up.

TOTAL HYGIENIC DRAINAGE SYSTEMS

