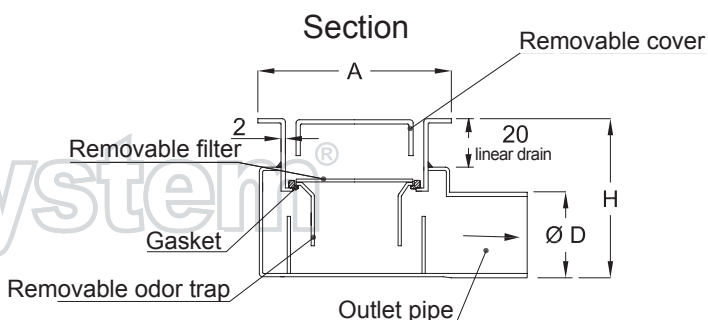
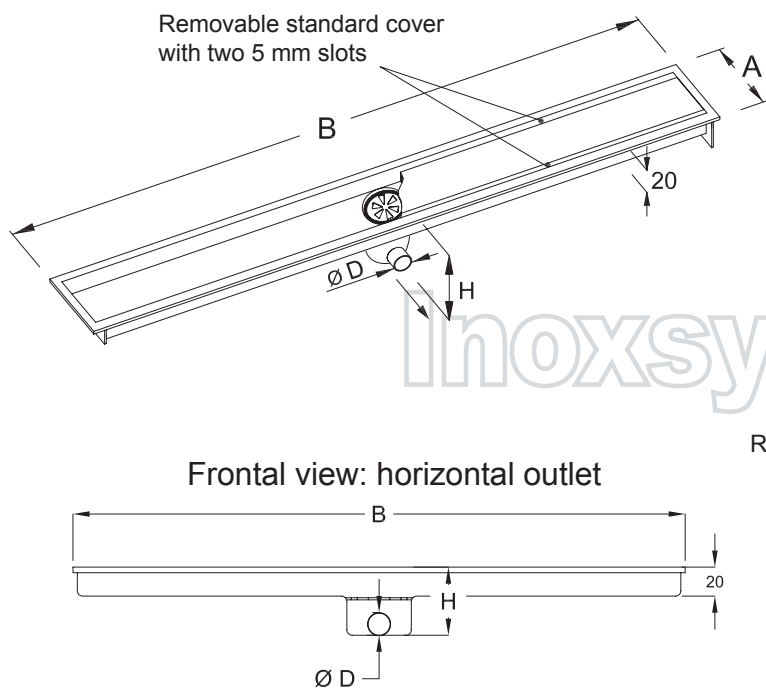


Inoxsystem® IDrain 3080 - Double slot linear drain with odor trap, entirely made of 2 mm thick stainless steel and completely inspectable to ensure high standards of robustness, cleanliness and hygiene

Inoxsystem® IDrain 3080



- 70 mm wide
- Satin finish edges
- Satin finish standard cover
- Two side slots
- Removable filter and odor trap
- Entirely made of 2 mm thick stainless steel



Inoxsystem® IDrain 3080 - Linear drain - Standard cover with two side slots - width 70 mm - visible edges - central horizontal outlet Ø 40 - removable odor trap and filter						
Art.:	A Width	B Length	H Height	Ø Outlet	Flow rate lt/min	Removable cover
308140770	70	700	70	40	18	Standard
308140780	70	800	70	40	18	Standard
308140790	70	900	70	40	18	Standard
3081407100	70	1000	70	40	18	Standard
3081407110	70	1100	70	40	18	Standard
3081407120	70	1200	70	40	18	Standard
3081407AR	70	On request	70	40	18	Standard

Dwg. No. 3081 - Made of: Aisi 304 stainless steel, 2 mm thick - Aisi 316 on request

Inoxsystem® IDrain 3080 - Linear drain - Standard cover with two side slots - width 70 mm - visible edges - central horizontal outlet Ø 50 - removable odor trap and filter						
Art.:	A Width	B Length	H Height	Ø Outlet	Flow rate lt/min	Removable cover
308150770	70	700	80	50	18	Standard
308150780	70	800	80	50	18	Standard
308150790	70	900	80	50	18	Standard
3081507100	70	1000	80	50	18	Standard
3081507110	70	1100	80	50	18	Standard
3081507120	70	1200	80	50	18	Standard
3081507AR	70	On request	80	50	18	Standard

Dwg. No. 3081 - Made of: Aisi 304 stainless steel, 2 mm thick - Aisi 316 on request

Note: Inoxsystem® IDrain linear drains can be provided with vertical outlet including removable odor trap and filter (see page 14).

ON REQUEST - See accessories at page 13 and 14 of this catalogue

- Art. "....." (to be specified) Different type of removable two-slot cover with decorative patterns to replace the removable standard cover. It is necessary to indicate the code of the linear drain which cover must be replaced and the chosen type of cover.

- Art "IDPL" - Dual set of adjustable feet complete with double sided tape to ensure perfectly level installation of Inoxsystem® IDrain channels.

- Art. "IDGS" Lifting hook to facilitate the removal of covers, filters and odor traps of Inoxsystem® IDrain channels and floor drains.

NOTE: - All dimensions can be modified upon request.

- All the drawings, pictures and descriptions in this catalogue are property of Inoxsystem®. They cannot be used or copied without our formal permission.