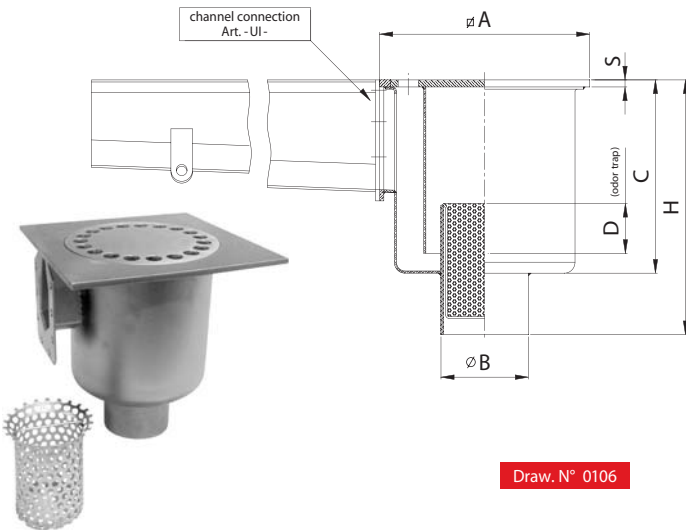


Siphoned floor drains suitable for slot drainage channel*

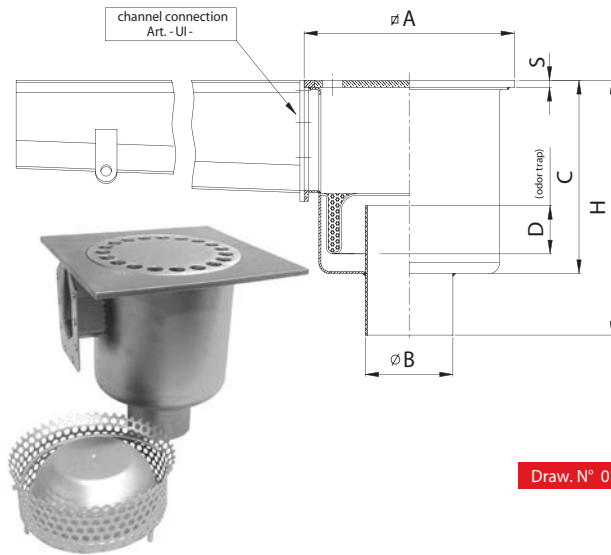
* upon request they can be applied on a grated channel. (see page 10)

FLOOR DRAIN WITH VERTICAL OUTLET PIPE, FILTER BASKET AFTER SIPHONING AND CHANNEL CONNECTION



Draw. N° 0106

FLOOR DRAIN WITH VERTICAL OUTLET PIPE, FILTER BASKET BEFORE SIPHONING AND CHANNEL CONNECTION



Draw. N° 0109

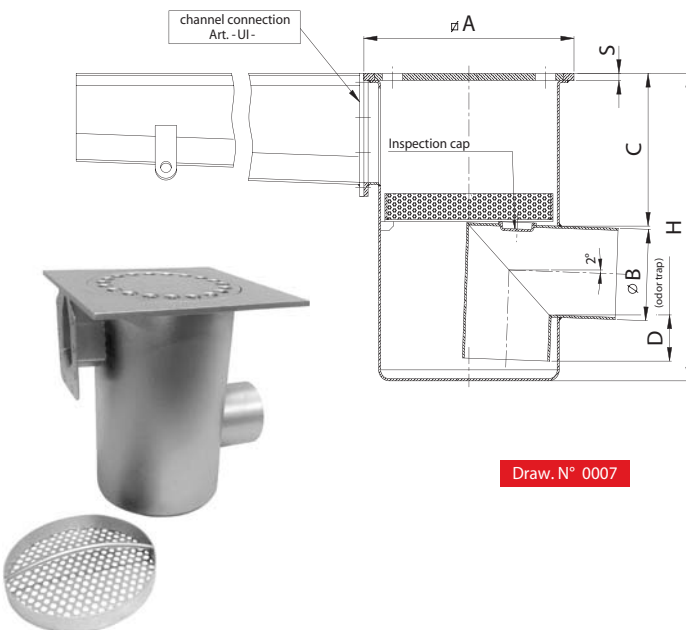
Upon request floor drains with removable outlet pipe and closing cap can be applied (see cat. page 22)
N.B. This floor drain height is used in channel with a max length of 12 mt

Article	MEASURE in mm						Capacity lt/min	Max. load in Kg		
	∅ A	S	∅ B	C	D	H		LOAD CONCENT	LOAD DISTRIB	
RCV 50 156	150	6	50	140	20	190	40	1000	10000	Ultralow
RCV 63 206	200	6	63	140	20	190	50	1000	10000	Ultralow
RCV 63 256	250	6	63	140	20	190	50	950	8500	Ultralow
CV 104 256	250	6	104	220	55	290	135	950	8500	
CV 104 258	250	8	104	220	55	290	135	1200	12000	
CV 104 306	300	6	104	220	55	290	135	950	8500	
CV 110 308	300	8	110	220	55	290	135	1000	10000	
CV 154 358	350	8	154	250	55	350	220	900	8000	

Upon request floor drains with removable outlet pipe and closing cap can be applied (see cat. page 22)
N.B. This floor drain height is used in channel with a max length of 12 mt

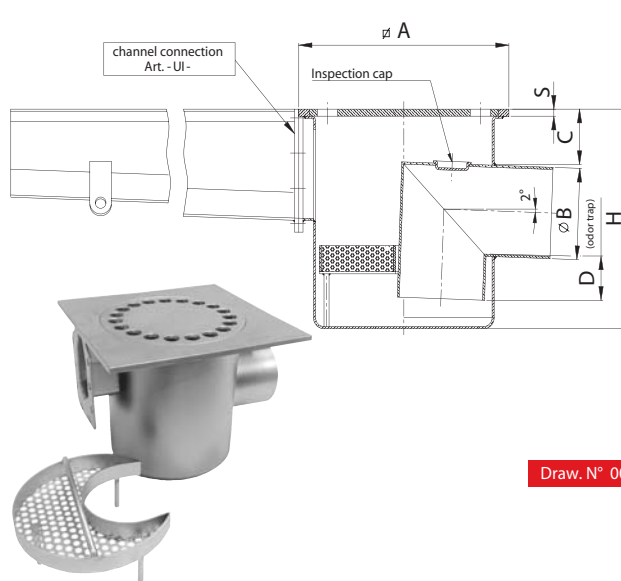
Article	MEASURE in mm						Capacity lt/min	Max. load in Kg		
	∅ A	S	∅ B	C	D	H		LOAD CONCENT	LOAD DISTRIB	
RCV 63 CE 308	300	8	63	140	20	190	50	1000	10000	Ultralow
CV 104 CE258	250	8	104	220	55	290	135	1000	10000	
CV 104 CE308	300	8	104	220	55	290	135	1000	10000	
CV 110 CE308	300	8	110	220	55	290	135	1000	10000	Recommended

FLOOR DRAIN WITH HORIZONTAL OUTLET PIPE, FILTER BASKET AND CHANNEL CONNECTION



Draw. N° 0007

LOWERED FLOOR DRAIN WITH HORIZONTAL OUTLET PIPE, FILTER BASKET AND CHANNEL CONNECTION



Draw. N° 0006

N.B. This floor drain height is used in channel with a max length of 12 mt

Article	MEASURE in mm						Capacity lt/min	Max. load in Kg		
	∅ A	S	∅ B	C	D	H		LOAD CONCENT	LOAD DISTRIB	
CL 104 258	250	8	104	170	50	350	135	1000	10000	
CL 104 308	300	8	104	170	50	350	135	1000	10000	
CL 110 308	300	8	110	170	50	350	135	1000	10000	

N.B. This floor drain height is used in channel with a max length of 12 mt

Article	MEASURE in mm						Capacity lt/min	Max. load in Kg		
	∅ A	S	∅ B	C	D	H		LOAD CONCENT	LOAD DISTRIB	
CLR 50 156	150	6	50	40	20	120	40	1000	10000	Ultralow
CLR 63 206	200	6	63	30	20	140	50	1000	10000	Ultralow
CLR 63 308	300	8	63	35	20	140	50	1000	1000	Ultralow
CLR 104 258	250	8	104	50	30	220	135	1000	1000	
CLR 104 308	300	8	104	50	30	220	135	1000	1000	
CLR 110 308	300	8	110	50	30	220	135	1000	10000	Recommended

N.B.: - All measures can be modified upon request.

- These drawings are property of INOXSYSTEM®. They cannot be used or copied without our formal permission.