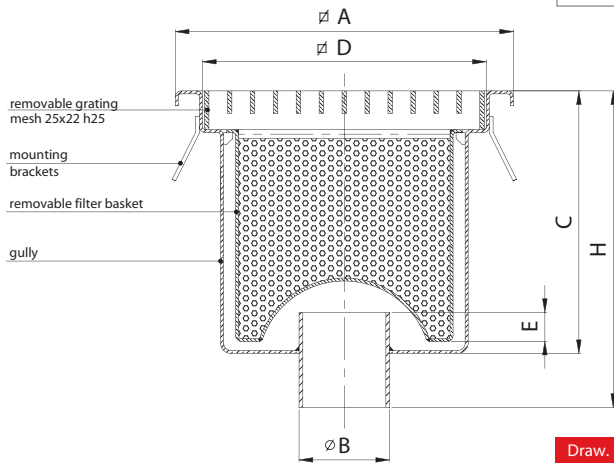


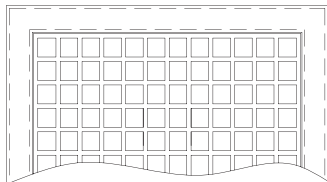
## Standard gullies with grating

**vertical siphoned outlet and removable filter basket.**

see lowered line "standard grating" at page 12



Draw. N° 0501



\* = changeable values depending on the selected grating

| Article     | Measure in mm |     |     |     |    |     | Capacity<br>lt/min | Max. load in Kg |                 |
|-------------|---------------|-----|-----|-----|----|-----|--------------------|-----------------|-----------------|
|             | ∅ A           | ∅ B | C   | D   | E  | H   |                    | LOAD<br>CONCENT | LOAD<br>DISTRIB |
| CGV300 C150 | 300           | 110 | 150 | 254 | 60 | 220 | 150                | *               | *               |
| CGV400 C200 | 400           | 129 | 200 | 354 | 60 | 270 | 190                | *               | *               |
| CGV500 C250 | 500           | 154 | 250 | 454 | 60 | 320 | 250                | *               | *               |

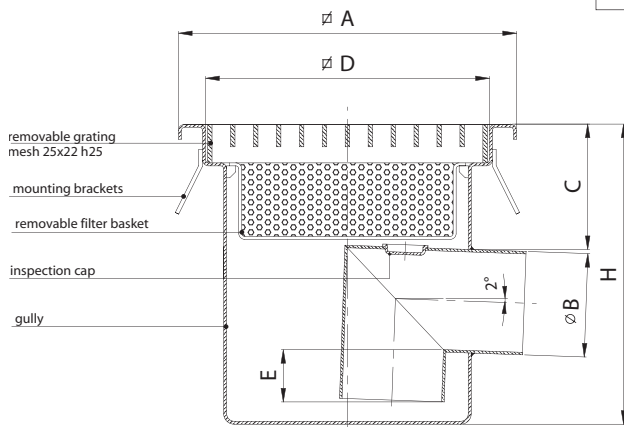
|                    | TYPE OF GRATING |                          |                    |
|--------------------|-----------------|--------------------------|--------------------|
|                    | Standard        | heelguard (upon request) | heavy (on request) |
| mesh grating 25x22 | 50x11           |                          | 25x8 opening 20    |

For different types of grating see the catalogue at page 10

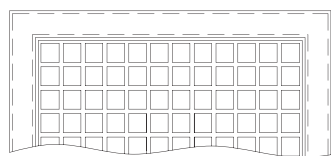
## Standard gullies with grating

**horizontal siphoned outlet pipe and removable filter basket.**

see the lowered line "standard grating" at page 13



Draw. N° 0401



\* = changeable values depending on the selected grating

| Article     | Measure in mm |     |     |     |    |     | Capacity<br>lt/min | Max. load in Kg |                 |
|-------------|---------------|-----|-----|-----|----|-----|--------------------|-----------------|-----------------|
|             | ∅ A           | ∅ B | C   | D   | E  | H   |                    | LOAD<br>CONCENT | LOAD<br>DISTRIB |
| CGL300 C100 | 300           | 110 | 100 | 254 | 55 | 280 | 150                | *               | *               |
| CGL400 C100 | 400           | 129 | 100 | 354 | 55 | 330 | 190                | *               | *               |
| CGL500 C100 | 500           | 154 | 100 | 454 | 55 | 360 | 250                | *               | *               |

|                    | TYPE OF GRATING |                          |                      |
|--------------------|-----------------|--------------------------|----------------------|
|                    | Standard        | heelguard (upon request) | heavy (upon request) |
| mesh grating 25x22 | 50x11           |                          | 25x8 (opening 20)    |

For different types of grating see the catalogue at page 10

**N.B.:** - All measures can be modified upon request.

- These drawings are property of INOXSYSTEM®. They cannot be used or copied without our formal permission.