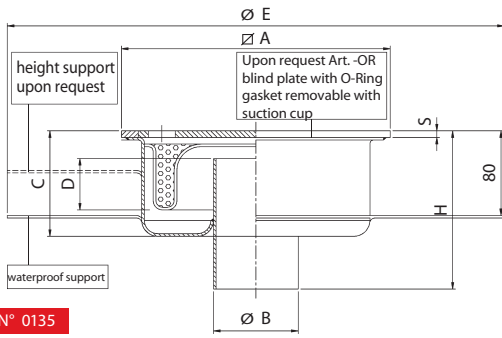
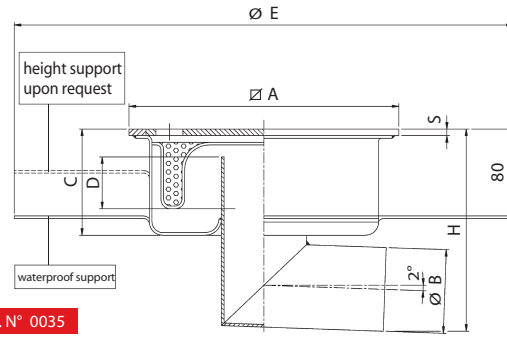


made in stainless steel AISI 304 - AISI 316 upon request

Standard floor drain with siphon, filter basket and fixed waterproof membrane support



Draw. N° 0135



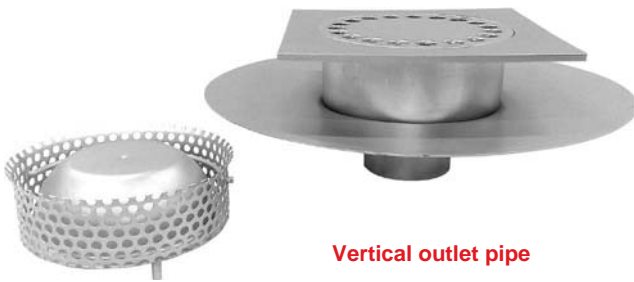
Draw. N° 0035

N.B. - All measures can be modified upon request

Article	MEASURE in mm							Capacity lt/min	Max. load in Kg	
	Ø A	S	Ø B	C	D	H	Ø E		LOAD CONCENT	LOAD DISTRIB
SG 110 VCE 308	300	8	110	110	55	180	500	135	1000	10000

N.B. - All measures can be modified upon request

Article	MEASURE in mm							Capacity lt/min	Max. load in Kg	
	Ø A	S	Ø B	C	D	H	Ø E		LOAD CONCENT	LOAD DISTRIB
SG 110 LCE 308	300	8	110	110	55	220	500	135	1000	10000

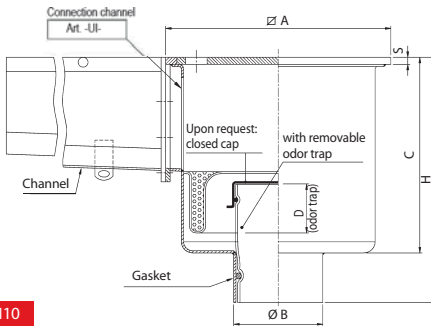


Vertical outlet pipe



Horizontal outlet pipe

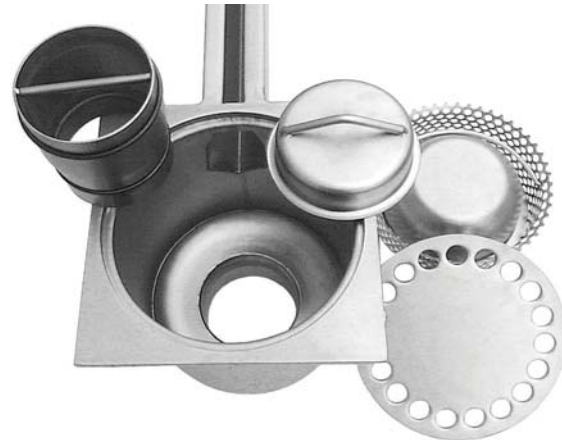
Floor drain with removable vertical outlet pipe and closing cap with a channel connection



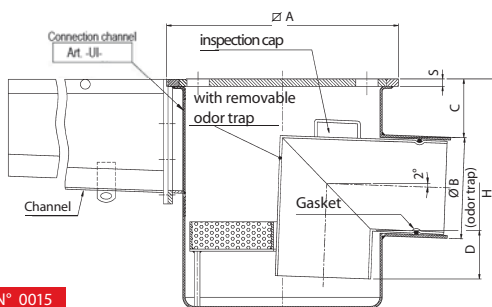
Draw. N° 0110

N.B. - All measures can be modified upon request

Article	MEASURE in mm						Capacity lt/min	Max. load in Kg	
	Ø A	S	Ø B	C	D	H		LOAD CONCENT	LOAD DISTRIB
SC CV 110 CE 308	300	8	110	220	55	290	135	1000	10000



Floor drain with removable horizontal outlet pipe and closing cap with a channel connection



Draw. N° 0015

N.B. - All measures can be modified upon request

Article	MEASURE in mm						Capacity lt/min	Max. load in Kg	
	Ø A	S	Ø B	C	D	H		LOAD CONCENT	LOAD DISTRIB
SC CLR 110 308	300	8	110	50	40	220	135	1000	10000



N.B.: - All measures can be modified upon request.

- These drawings are property of INOXSYSTEM® They cannot be used or copied without our formal permission.