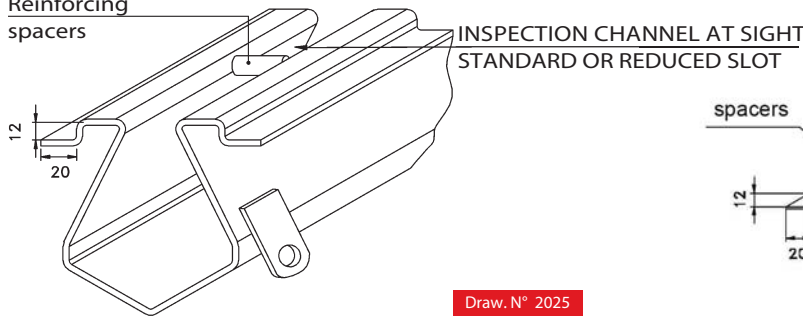


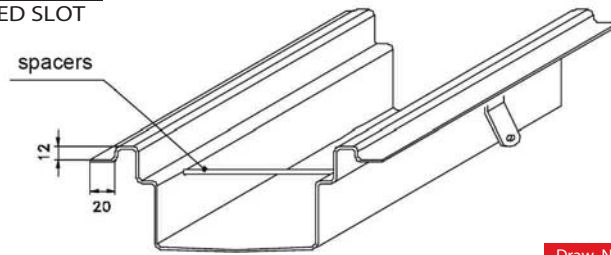
made in stainless steel AISI 304 - AISI 316 upon request

## Section of slot channel and channel with grating - with waterproof membrane holder

Reinforcing spacers



Draw. N° 2025



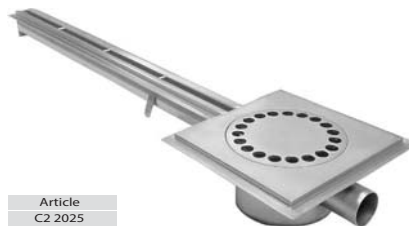
Draw. N° 0925

Channel with grating cover or standard/reduced slot, made in stainless steel with special edge to allow a perfect seal with the waterproof membrane, studied for swimming pools, showers, terraces and changing rooms. Excellent when a waterproof isolation support is required.



Article C1 2025

As catalogue page 15 but with waterproof membrane holder



Article C2 2025

As catalogue page 14 but with waterproof membrane holder

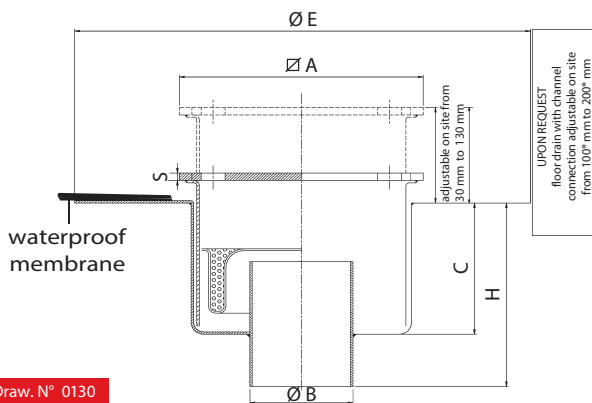


Article CGS 0925

As catalogue page 12 - 13 but with waterproof membrane holder

## Telescopic floor drains with siphon, filter basket and waterproof membrane support

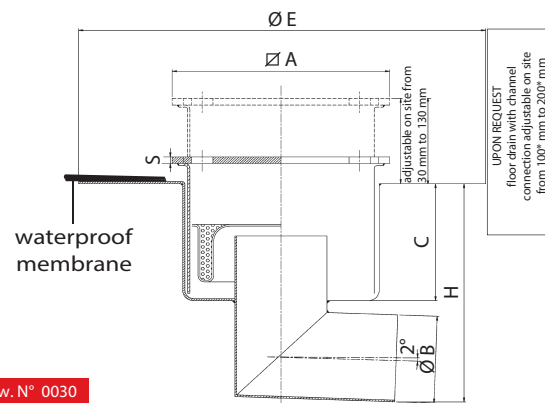
This product is excellent for a quick installation. Thanks to its telescopic function a fantastic installation versatility is guaranteed, allowing an easy compensation for different floor's levels and with its circular frame the waterproof membrane can be fixed.



Draw. N° 0130

N.B. - All measures can be modified upon request

| Article        | MEASURE in mm |   |     |     |     |     | Capacity<br>lt/min | Max. load in Kg |                 |
|----------------|---------------|---|-----|-----|-----|-----|--------------------|-----------------|-----------------|
|                | Ø A           | S | Ø B | C   | H   | Ø E |                    | LOAD<br>CONCENT | LOAD<br>DISTRIB |
| CT 110 VCE 308 | 300           | 8 | 110 | 140 | 210 | 500 | 135                | 1000            | 10000           |



Draw. N° 0030

N.B. - All measures can be modified upon request

| Article        | MEASURE in mm |   |     |     |     |     | Capacity<br>lt/min | Max. load in Kg |                 |
|----------------|---------------|---|-----|-----|-----|-----|--------------------|-----------------|-----------------|
|                | Ø A           | S | Ø B | C   | H   | Ø E |                    | LOAD<br>CONCENT | LOAD<br>DISTRIB |
| CT 110 LCE 308 | 300           | 8 | 110 | 140 | 250 | 500 | 135                | 1000            | 10000           |



Vertical outlet pipe



Horizontal outlet pipe

N.B.: - All measures can be modified upon request.

- These drawings are property of INOXSYSTEM®. They cannot be used or copied without our formal permission.