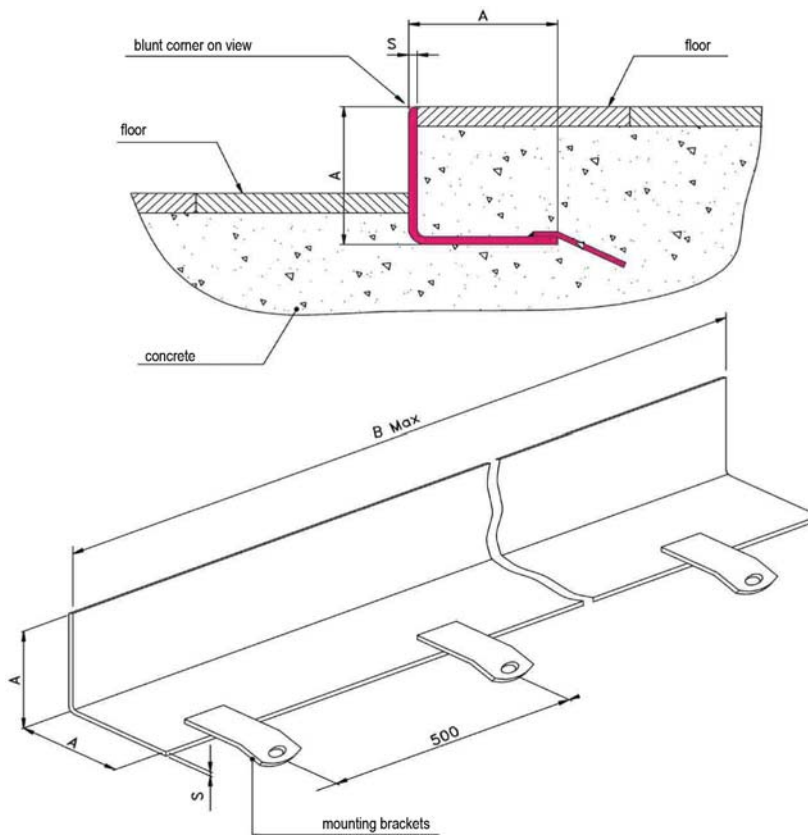


Terminal profiles - floor protection edges



Draw. N° 1004

N.B. - All measures can be modified upon request

Article	MEASURE in mm		
	A	B	S
T 70 4	70	3000	4

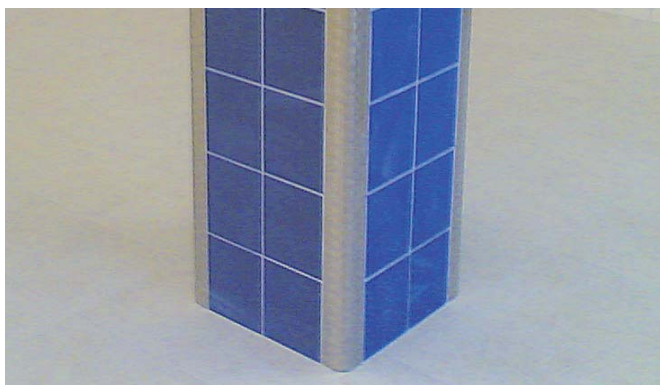
Examples of installation for corner guards and terminals



Terminal profiles - Draw. N° 1004



Laying example of terminal profiles - Draw. N° 1004



Laying example of rayed corner guards - Draw. N° 1001



Laying example of rayed corner guards - Draw. N° 1001

N.B.: - All measures can be modified upon request.

- These drawings are property of INOXSYSTEM®. They cannot be used or copied without our formal permission.