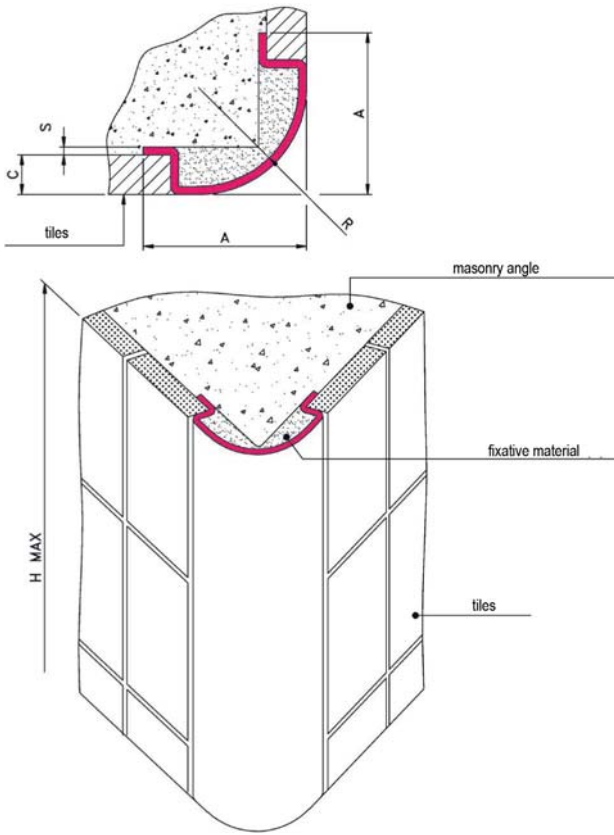


N.B.: Special pieces upon request

Rayed corner guard for tiles - Edge protectors



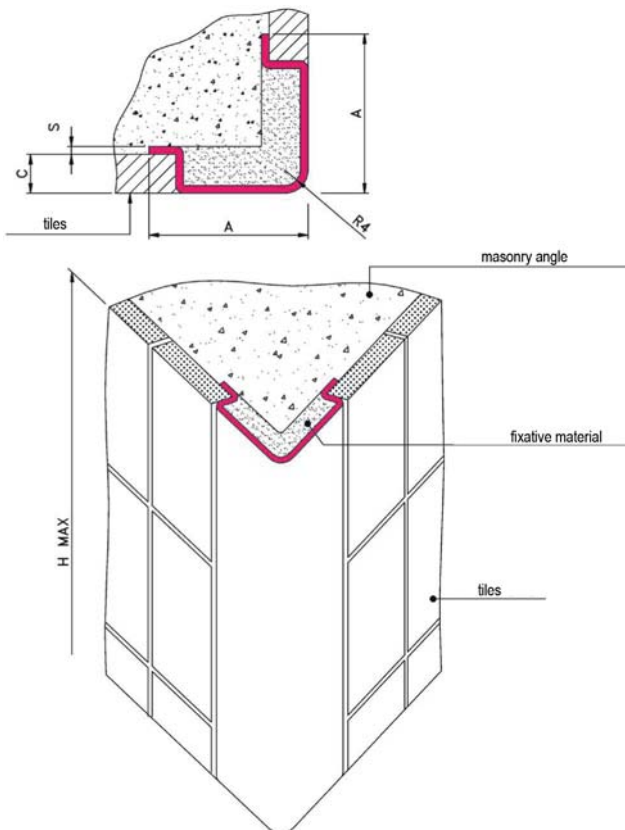
Draw. N° 1001

N.B. - All measures can be modified upon request
SIGHT SURFACE FINISHING: Standard "engine turned" - satin-finished or others upon request

Article	MEASURE in mm						SUPERFICIAL ENGINE TURNED FINISH
	A	H	C	S	R		
PR 70 1	70	3000	10	1	25		



Angled corner guard for tiles - Edge protectors



Draw. N° 1002

N.B. - All measures can be modified upon request
SIGHT SURFACE FINISHING: Standard "engine turned" - satin-finished or others upon request

Article	MEASURE in mm						SUPERFICIAL ENGINE TURNED FINISH
	A	H	C	S	R		
P 70 1	70	3000	10	1	4		

N.B.: - All measures can be modified upon request.

- These drawings are property of INOXSYSTEM®. They cannot be used or copied without our formal permission.