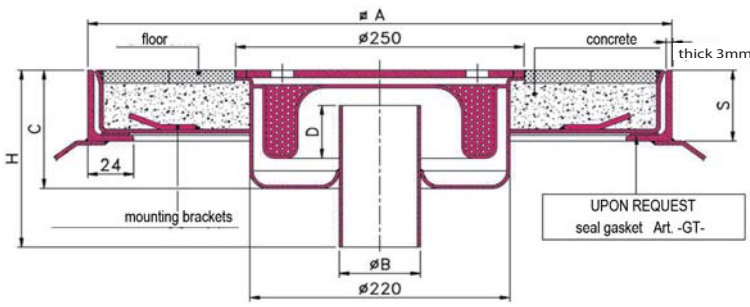


made in stainless steel AISI 304 - AISI 316 upon request

## Recessed manhole with gully and sub-frame

**heavy series, 3 mm thickness and 8mm square top plate, heavy and medium duty**

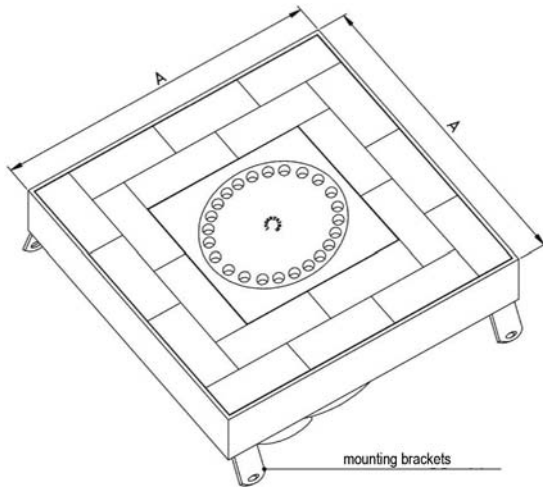


Draw. N° 0752

**with siphoned vertical outlet pipe and removable filter basket**

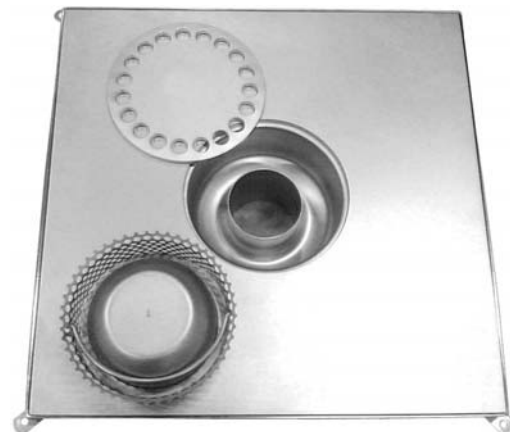
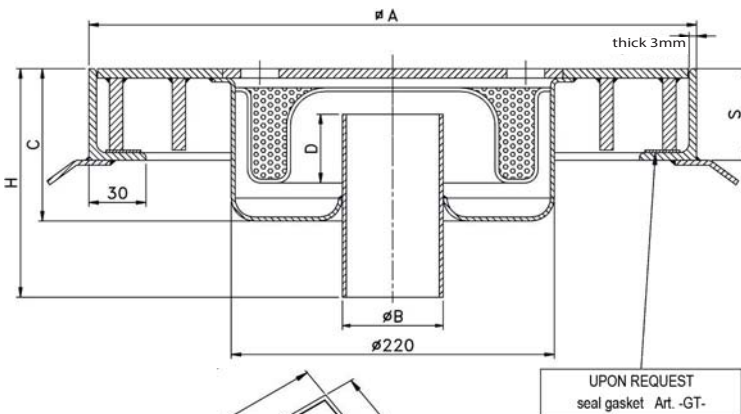
\* = Changeable values depending on the type of concrete (pedestrian up to heavy duty upon request)  
N.B. - All measures can be modified upon request

Article	MEASURE in mm						Capacity lt/min	Max. load in Kg		Capacity class
	∅ A	S	∅ B	C	D	H		LOAD CONCENT	LOAD DISTRIB	
S500P 110 VCE	500	60	110	110	55	180	135	850	6500	B125
S600P 110 VCE	600	60	110	110	55	180	135	850	6500	B125
S700P 110 VCE	700	60	110	110	55	180	135	850	6500	B125
S800P 110 VCE	800	60	110	110	55	180	135	850	6500	B125



## Manhole covers with gully and sub-frame, reinforced series

**mm 3-6-8 thickness and medium duty reinforced cover**

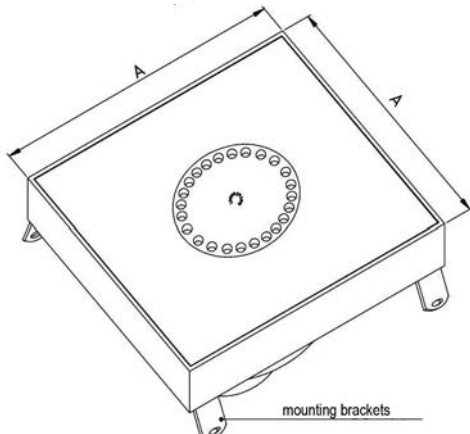


Draw. N° 0122

**with siphoned vertical outlet pipe and removable filter basket**

\* = Changeable values depending on the type of dimensions (pedestrian up to heavy duty upon request)  
N.B. - All measures can be modified upon request

Article	MEASURE in mm						Capacity lt/min	Max. load in Kg		Capacity class
	∅ A	S	∅ B	C	D	H		LOAD CONCENT	LOAD DISTRIB	
S400 110 VCE	400	35	110	110	55	180	135	850	6500	B125
S500 110 VCE	500	35	110	110	55	180	135	850	6500	B125
S600 110 VCE	600	35	110	110	55	180	135	850	6500	B125
S700 110 VCE	700	35	110	110	55	180	135	850	6500	B125
S800 110 VCE	800	35	110	110	55	180	135	850	6500	B125



N.B.: - All measures can be modified upon request.

- These drawings are property of INOXSYSTEM® They cannot be used or copied without our formal permission.