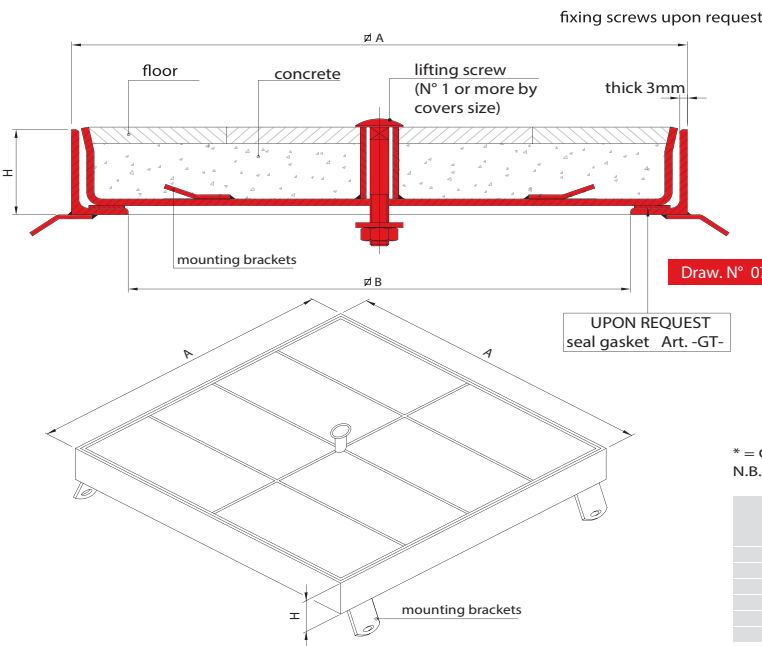


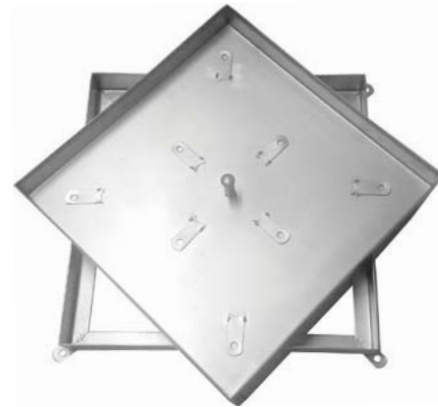
made in stainless steel AISI 304 - AISI 316 upon request

Recessed manhole with sub-frame

heavy series, 3 mm thickness with heavy or medium duty



Draw. N° 0751



* = Changeable values depending on the type of concrete
N.B. All measures can be modified upon request

| Article | MEASURE in mm | | | Max. load in Kg | | Capacity class |
|---------|---------------|-----|----|-----------------|--------------|----------------|
| | ∅ A | ∅ B | H | LOAD CONCENT | LOAD DISTRIB | |
| S 300 P | 300 | 240 | 60 | 1000 | 10000 | C250 |
| S 400 P | 400 | 340 | 60 | 1000 | 10000 | C250 |
| S 500 P | 500 | 440 | 60 | 850 | 6500 | C250 |
| S 600 P | 600 | 540 | 60 | 850 | 6500 | B125 |
| S 700 P | 700 | 640 | 60 | 850 | 6500 | B125 |
| S 800 P | 800 | 740 | 60 | 850 | 6500 | B125 |

Recessed manhole with sub-frame

light walking moulded series

Draw. N° 0753



| ARTICLE | Measure in mm | Capacity class |
|----------|-----------------|----------------|
| SL 230 P | 230 x 230 x h50 | A15 |
| SL 330 P | 330 x 330 x h50 | A15 |
| SL 430 P | 430 x 430 x h50 | A15 |
| SL 530 P | 530 x 530 x h50 | A15 |

Grating for inspection with sub-frame

2 mm thickness

Draw. N° 0754

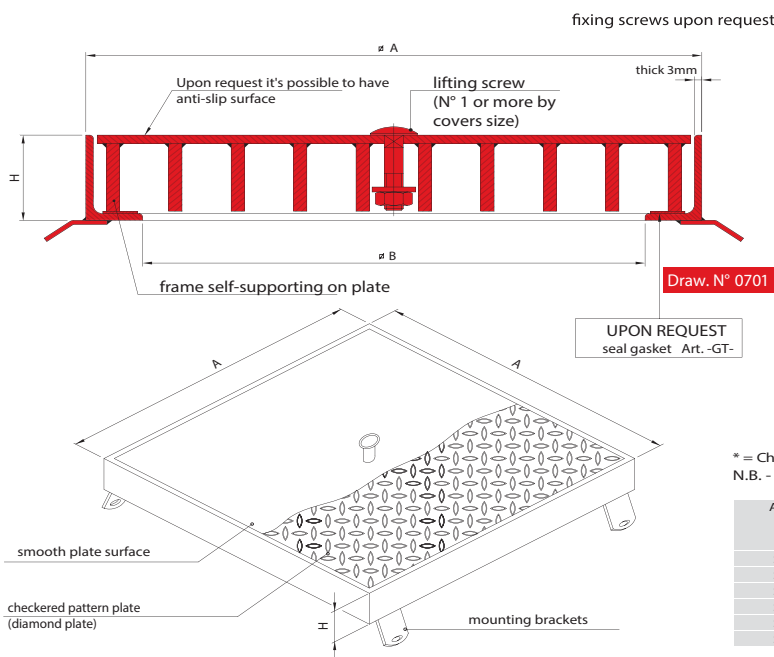


| ARTICLE | Measure in mm | Capacity class |
|---------|-----------------|----------------|
| SG 160 | 160 x 160 x h28 | * |
| SG 210 | 210 x 210 x h28 | * |
| SG 260 | 260 x 260 x h28 | * |
| SG 310 | 310 x 310 x h28 | * |
| SG 360 | 360 x 360 x h28 | * |
| SG 410 | 410 x 410 x h28 | * |
| SG 460 | 460 x 460 x h28 | * |
| SG 510 | 510 x 510 x h28 | * |

* = Capacity class depending on the type of grating
N.B.: See grating at page 10

Access covers with sub-frame

heavy series with mm 3-6-8 thickness, heavy or medium duty and reinforced cover



Draw. N° 0701



* = Changeable values depending on the type of dimension (pedestrian up to heavy duty upon request)
N.B. - All measures can be modified upon request

| Article | MEASURE in mm | | | Max. load in Kg | | Capacity class |
|---------|---------------|-----|----|-----------------|--------------|----------------|
| | ∅ A | ∅ B | H | LOAD CONCENT | LOAD DISTRIB | |
| S 300 | 300 | 240 | 35 | 1000 | 10000 | C250 |
| S 400 | 400 | 340 | 35 | 1000 | 10000 | C250 |
| S 500 | 500 | 440 | 35 | 850 | 6500 | C250 |
| S 600 | 600 | 540 | 35 | 850 | 6500 | B125 |
| S 700 | 700 | 640 | 35 | 850 | 6500 | B125 |
| S 800 | 800 | 740 | 35 | 850 | 6500 | B125 |

N.B.: - All measures can be modified upon request.

- These drawings are property of INOXSYSTEM®. They cannot be used or copied without our formal permission.

www.inoxsystem.it