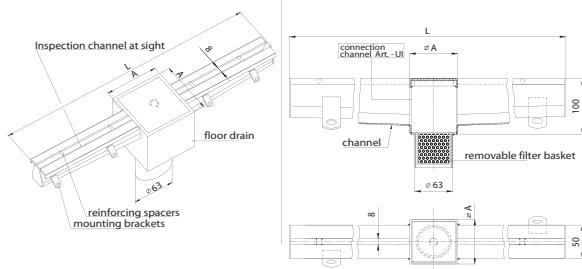


made in stainless steel with lowered floor drain 80x80 mm  
direct outlet without siphoned system with filter basket - AISI 304 - AISI 316 upon request

## Drainage floor systems - "Heel proof slot drainage channel" range

Stainless steel reduced slot drainage channel with floor drain and removable filter basket,  
vertical outlet pipe in the center



ARTICLE	∅ A	L
CRV 8108	80	1080
CRV 8208	80	2080
CRV 8308	80	3080

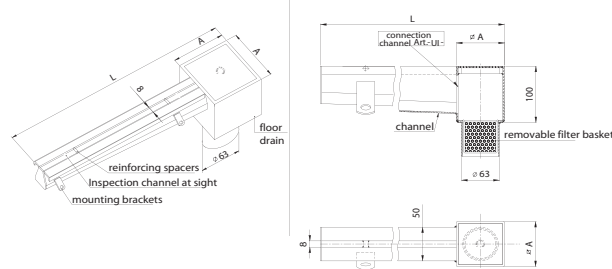
Measure in mm.

EXCELLENT FOR SWIMMING POOLS,  
SHOWERS AND TERRACES



art. CRV ..... Draw. N° 1153

Stainless steel reduced slot drainage channel with floor drain and removable filter basket  
vertical outlet pipe on the head



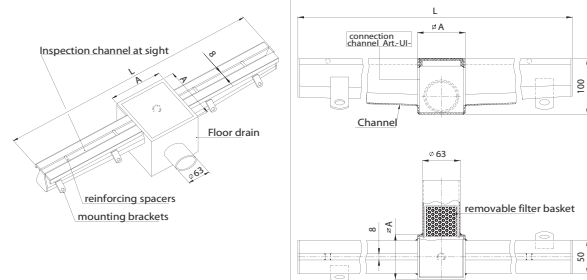
ARTICLE	∅ A	L
CRVT 8108	80	1080
CRVT 8208	80	2080
CRVT 8308	80	3080

Measure in mm.



art. CRVT ..... Draw. N° 1154

Stainless steel reduced slot drainage channel with floor drain and removable filter basket  
horizontal outlet pipe in the center



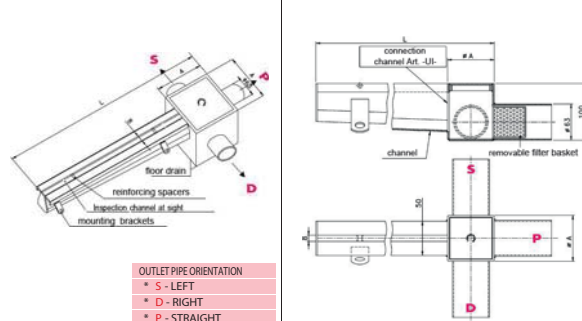
ARTICLE	∅ A	L
CRO 8108	80	1080
CRO 8208	80	2080
CRO 8308	80	3080

Measure in mm.



art. CRO ..... Draw. N° 1151

Stainless steel reduced slot drainage channel with floor drain and removable filter basket  
horizontal outlet pipe on the head



ARTICLE	∅ A	L
CROT 8108	80	1080
CROT 8208	80	2080
CROT 8308	80	3080

Measure in mm.

\* = Please indicate the corresponding outlet pipe orientation on the product code (e.g. CFOT 30 130 "P")

Outlet pipe orientation, type "P"



art. CROT ..... Draw. N° 1152

UPON REQUEST WITH INCORPORATED ODOR TRAP

Reduced siphoned floor drain  
mm 200x200 depth on the bottom cup mm 140  
with removable filter basket  
applying on all the range "reduced slot drainage channel"

Outlet pipe orientation, type "D"



see the line 1250 at Page 25

N.B. - Upon request it's possible to apply floor drains described at page 9.  
- All models can be supplied with direct outlet pipe, without siphoning and without filter basket.  
- All measures can be made upon request.  
- All measures can be modified upon request (included diameter and height of pipes).  
- Upon request: Setting up for internal channel washing with 1/2" pipe coupling on head and internal diffuser (art. -IL-) - see cat. page 23

N.B.: - All measures can be modified upon request.  
- These drawings are property of INOXSYSTEM®. They cannot be used or copied without our formal permission.