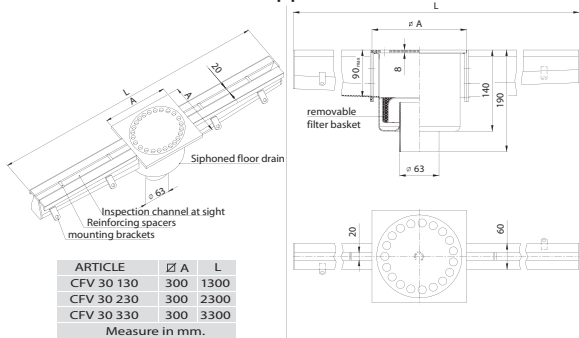


made in stainless steel 2 mm thickness with floor drain with heavy plate 8 mm thickness siphoned outlet pipe with filter basket - AISI 304 - AISI 316 upon request

Drainage floor systems - "Standard slot drainage channel" range

Stainless steel slot drainage channel with siphoned floor drain and removable filter basket, vertical outlet pipe in the center



EXCELLENT FOR RESTAURANTS' KITCHENS AND FOOD PROCESSING DEPARTMENTS

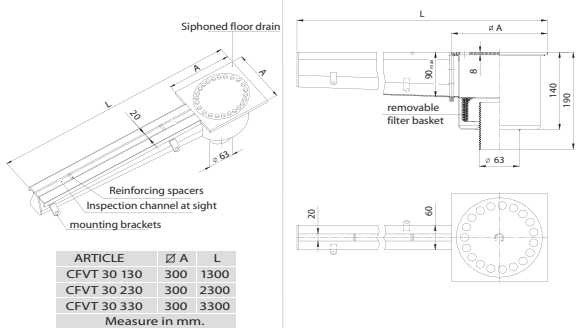


art. CFV Draw. N° 1053

ARTICLE	∅ A	L
CFV 30 130	300	1300
CFV 30 230	300	2300
CFV 30 330	300	3300

Measure in mm.

Stainless steel slot drainage channel with siphoned floor drain and removable filter basket, vertical outlet pipe on the head

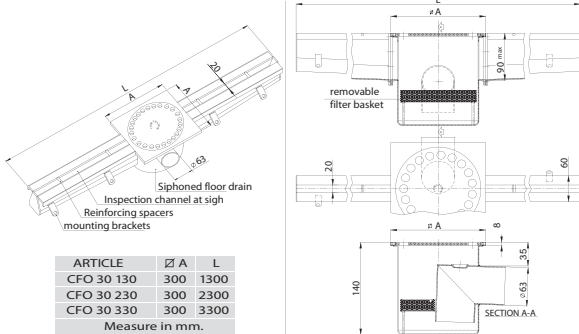


art. CFVT Draw. N° 1054

ARTICLE	∅ A	L
CFVT 30 130	300	1300
CFVT 30 230	300	2300
CFVT 30 330	300	3300

Measure in mm.

Stainless steel slot drainage channel with siphoned floor drain and removable filter basket, horizontal outlet pipe in the center

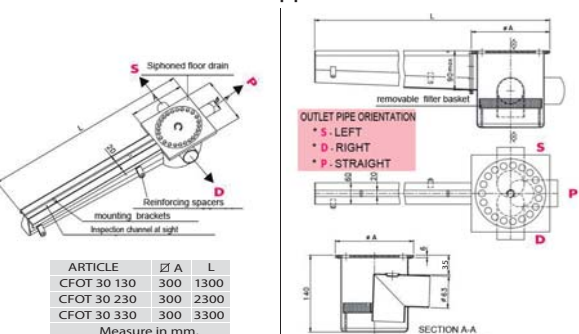


art. CFO Draw. N° 1051

ARTICLE	∅ A	L
CFO 30 130	300	1300
CFO 30 230	300	2300
CFO 30 330	300	3300

Measure in mm.

Stainless steel slot drainage channel with siphoned floor drain and removable filter basket, horizontal outlet pipe on the head



Outlet pipe orientation, type "P"



art. CFOT Draw. N° 1052

ARTICLE	∅ A	L
CFOT 30 130	300	1300
CFOT 30 230	300	2300
CFOT 30 330	300	3300

Measure in mm.

* = Please indicate the corresponding outlet pipe orientation on the product code (e.g. CFOT 30 130 "P")

- N.B.**
- Upon request it's possible to apply floor drains described at page 9.
 - All models can be supplied with direct outlet pipe, without siphoning and without filter basket.
 - All measures can be made upon request.
 - All measures can be modified upon request (included diameter and height of pipes).
 - Upon request: Setting up for internal channel washing with 1/2" pipe coupling on head plus internal diffuser (art. -L-) - see cat. page 23

N.B.: - All measures can be modified upon request.
- These drawings are property of INOXSYSTEM® They cannot be used or copied without our formal permission.