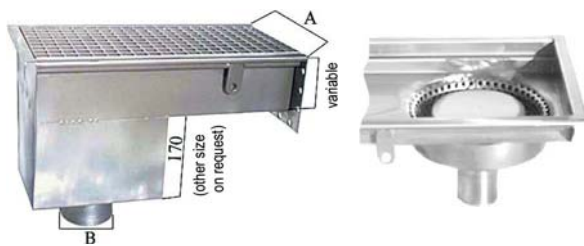
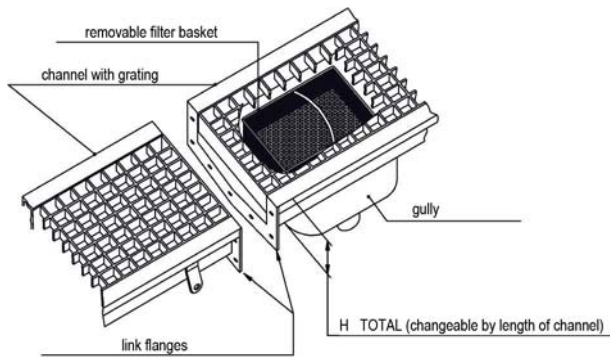


made in stainless steel AISI 304 - AISI 316 upon request

Siphoned gullies suitable for drainage channels with grating (*)

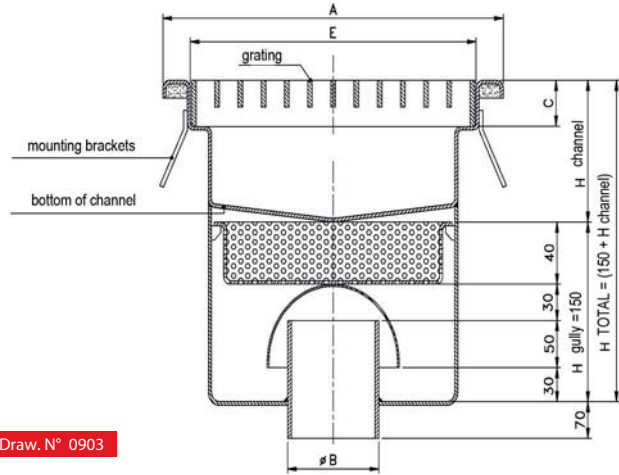
* upon request (for channel with grating), floor drains with square top plate can be applied (see page 9)

GULLY WITH VERTICAL OUTLET PIPE, FOR GRATED CHANNEL, SIPHONED AND EQUIPPED WITH REMOVAL FILTER BASKET



Standard Version

Lowered Version

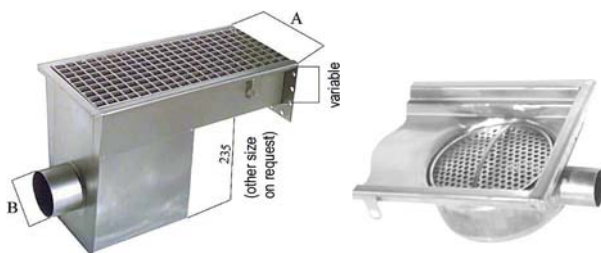
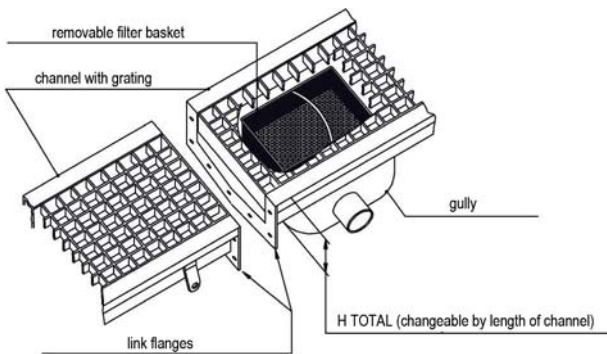


Draw. N° 0903

*= changeable values depending on the selected grating

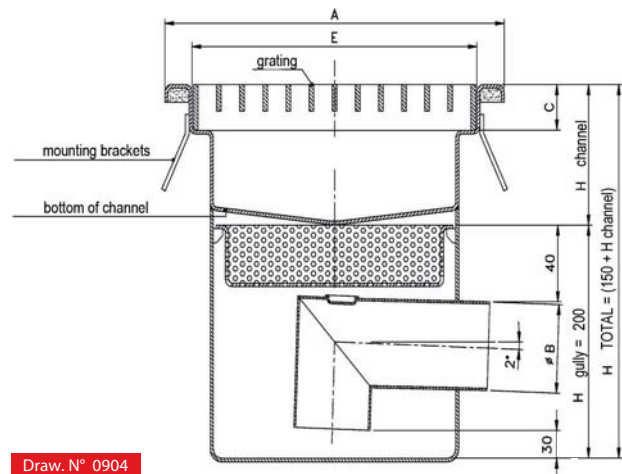
Article (Gully)	Measure in mm				Max. load in Kg	
	A	Ø B	C	E	LOAD CONCENT	LOAD DISTRIB
PSV	150	63	26*	104	*	*
	200	63/110	26*	154	*	*
	250	63/110	26*	204	*	*
	300	63/110	26*	254	*	*
	350	63/110	26*	304	*	*
	400	63/110	26*	354	*	*
	450	63/110	26*	404	*	*
500	63/110	26*	454	*	*	

GULLY WITH HORIZONTAL OUTLET PIPE, FOR GRATED CHANNEL, SIPHONED AND EQUIPPED WITH REMOVAL FILTER BASKET



Standard Version

Lowered Version



Draw. N° 0904

*= changeable values depending on the selected grating

Article (Gully)	Measure in mm				Max. load in Kg	
	A	Ø B	C	E	LOAD CONCENT	LOAD DISTRIB
PSO	150	63	26*	104	*	*
	200	63/110	26*	154	*	*
	250	63/110	26*	204	*	*
	300	63/110	26*	254	*	*
	350	63/110	26*	304	*	*
	400	63/110	26*	354	*	*
	450	63/110	26*	404	*	*
500	63/110	26*	454	*	*	

N.B.: - All measures can be modified upon request.

- These drawings are property of INOXSYSTEM®. They cannot be used or copied without our formal permission.