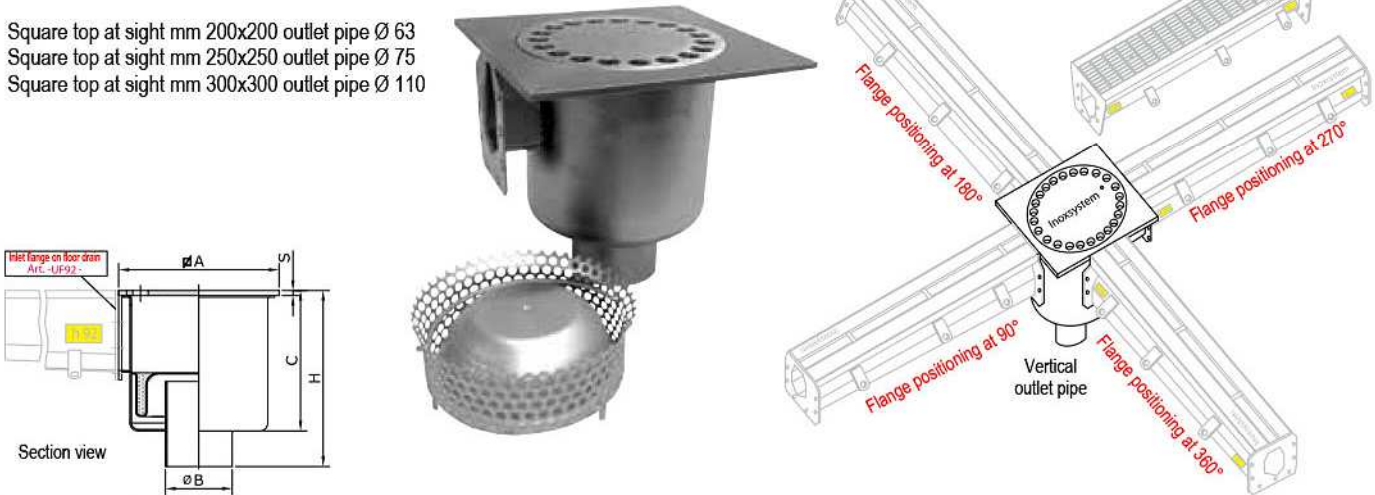


"CUSTOM" siphoned floor drain with filter basket, for Inoxsystem® Infinity

Siphoned floor drain with VERTICAL OUTLET and filter basket, inclusive of one inlet flange Art. UF92

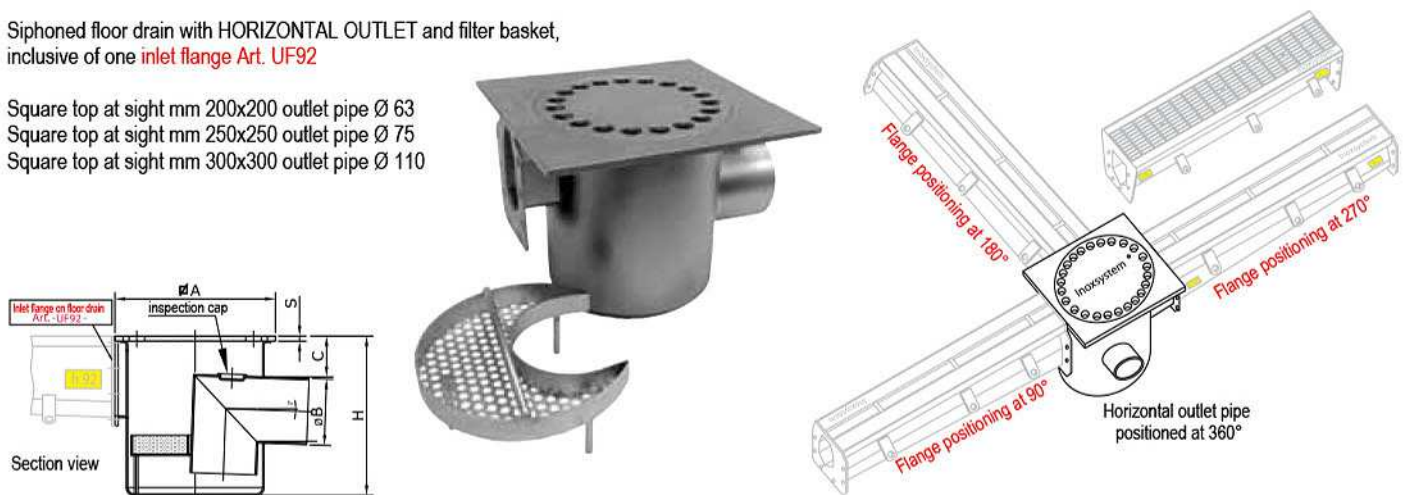
Square top at sight mm 200x200 outlet pipe Ø 63
 Square top at sight mm 250x250 outlet pipe Ø 75
 Square top at sight mm 300x300 outlet pipe Ø 110



ARTICLE	MEASURE in mm.					WATER FLOW lt/min.	Flanges position art. UF92			
	∅ A	S	∅ B	C	H		Possible flange positioning on floor drain: Specify positions and quantities on your requests			
CCS 200 V 63	200	6	63	140	190	50	90°	180°	270°	360°
CCS 250 V 75	250	6	75	140	190	80				
CCS 300 V 110	300	6	110	140	190	135				
UF92	Additional flange on floor drain for fixing of Inoxsystem h92 "Infinity" channels (specify position and quantity)									
VFP	Fixing screw on floor drain top plate (upon request)									

Siphoned floor drain with HORIZONTAL OUTLET and filter basket, inclusive of one inlet flange Art. UF92

Square top at sight mm 200x200 outlet pipe Ø 63
 Square top at sight mm 250x250 outlet pipe Ø 75
 Square top at sight mm 300x300 outlet pipe Ø 110



ARTICLE	MEASURE in mm.					WATER FLOW lt/min.	Flanges position art. UF92		
	∅ A	S	∅ B	C	H		Possible flange positioning on floor drain: Specify positions and quantities on your requests		
CCS 200 L 63	200	6	63	30	140	50	90°	180°	270°
CCS 250 L 75	250	6	75	30	150	80			
CCS 300 L 110	300	6	110	50	220	135			
UF92	Additional flange on floor drain for fixing of Inoxsystem h92 "Infinity" channels (specify position and quantity)								
VFP	Fixing screw on floor drain top plate (upon request)								

Upon request we can apply the siphoned floor drains described on page 9 of our general catalogue and on www.inoxsystem.it, or made custom