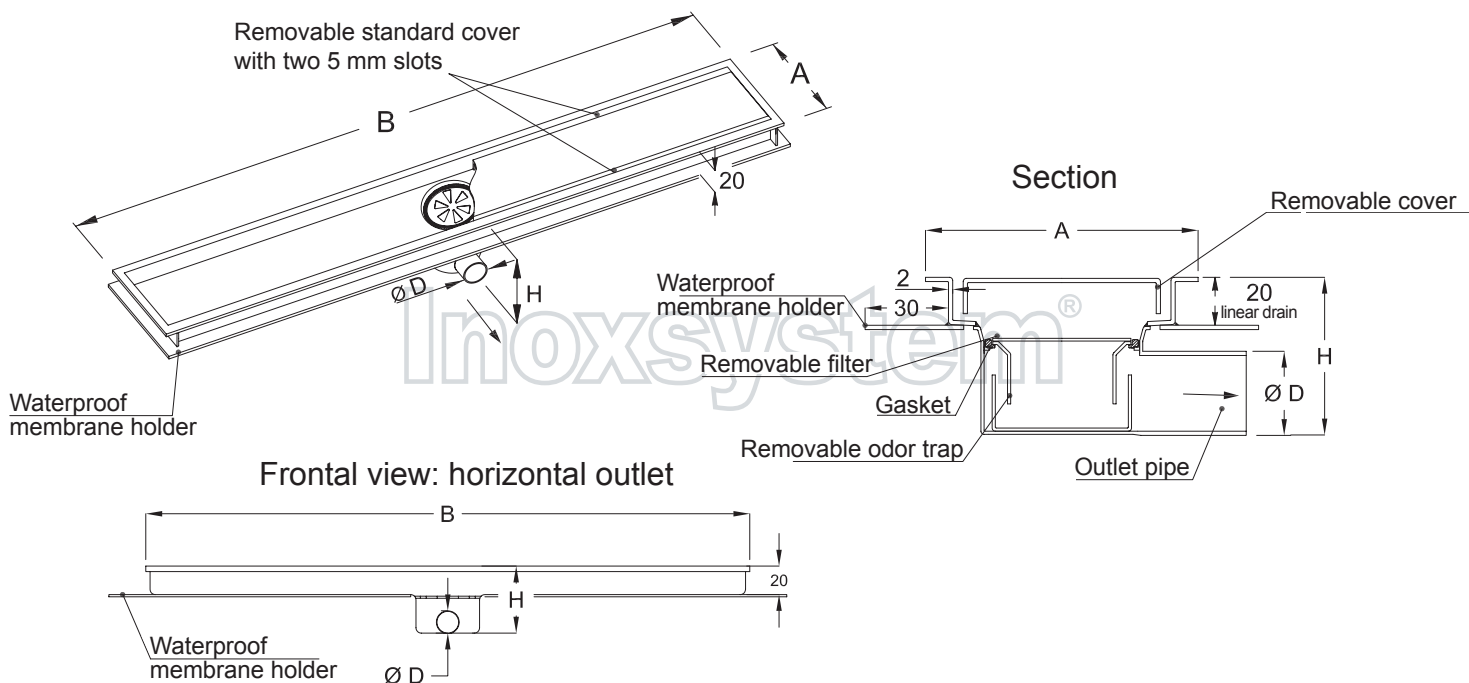


Inoxsystem® IDrain 3070 - Double slot linear drain with odor trap, entirely made of 2 mm thick stainless steel and completely inspectable to ensure high standards of robustness, cleanliness and hygiene - Waterproof membrane holder

Inoxsystem® IDrain 3070



- 100 mm wide
- Satin finish edges
- Satin finish standard cover
- Two side slots
- Removable filter and odor trap
- Entirely made of 2 mm thick stainless steel
- Waterproof membrane holder



Inoxsystem® IDrain 3070 - Linear drain - Standard cover with two slots - width 100 mm - visible edges central horizontal outlet Ø 40 - removable odor trap and filter - waterproof membrane holder

Art.:	A Width	B Length	H Height	Ø Outlet	Flow rate lt/min	Removable cover
3071401070	100	700	70	40	28	Standard
3071401080	100	800	70	40	28	Standard
3071401090	100	900	70	40	28	Standard
30714010100	100	1000	70	40	28	Standard
30714010110	100	1100	70	40	28	Standard
30714010120	100	1200	70	40	28	Standard
30714010AR	100	On request	70	40	28	Standard

Dwg. No. 3071 - Made of: Aisi 304 stainless steel, 2 mm thick - Aisi 316 on request

Inoxsystem® IDrain 3070 - Linear drain - Standard cover with two side slots - width 100 mm - visible edges central horizontal outlet Ø 50 - removable odor trap and filter - waterproof membrane holder

Art.:	A Width	B Length	H Height	Ø Outlet	Flow rate lt/min	Removable cover
3071501070	100	700	80	50	28	Standard
3071501080	100	800	80	50	28	Standard
3071501090	100	900	80	50	28	Standard
30715010100	100	1000	80	50	28	Standard
30715010110	100	1100	80	50	28	Standard
30715010120	100	1200	80	50	28	Standard
30715010AR	100	On request	80	50	28	Standard

Dwg. No. 3071 - Made of: Aisi 304 stainless steel, 2 mm thick - Aisi 316 on request

Note: Inoxsystem® IDrain linear drains can be provided with vertical outlet including removable odor trap and filter (see page 14).

ON REQUEST - See accessories at page 13 and 14 of this catalogue

- Art. "....." (to be specified) Different type of removable two-slot cover with decorative patterns to replace the removable standard cover. It is necessary to indicate the code of the linear drain which cover must be replaced and the chosen type of cover.

- Art "IDPL" - Dual set of adjustable feet complete with double sided tape to ensure perfectly level installation of Inoxsystem® IDrain channels.

- Art. "IDGS" Lifting hook to facilitate the removal of covers, filters and odor traps of Inoxsystem® IDrain channels and floor drains.

NOTE: - All dimensions can be modified upon request.

- All the drawings, pictures and descriptions in this catalogue are property of Inoxsystem®. They cannot be used or copied without our formal permission.