

Line
3130

www.inoxsystem.it

**Linear drain "Italia IDrain" with double slot with flattened edges
with direct outlet Ø 50 mm without odor trap
All made in stainless steel Aisi 304 (Aisi 316 Upon request)**

Inoxsystem®

www.Inoxsystem.It - Info@Inoxsystem.It
LINEAR DRAIN "ITALIA IDrain" WITH DOUBLE SLOT
WITH DIRECT OUTLET Ø 50 mm WITHOUT ODOR TRAP
WITH FLATTENED EDGES
Vertical outlet in the center

Made of Art.:

- Italia IDrain channel with double slot Art. "ID60BPGPS"
- Italia IDrain channel with double slot Art. "ID90BPGPS"
- Vertical direct outlet Art. "IDSVID"
- Welded end cap Art. "IDTC"
- Further channel welding Art. "IDSC"

Upon request:

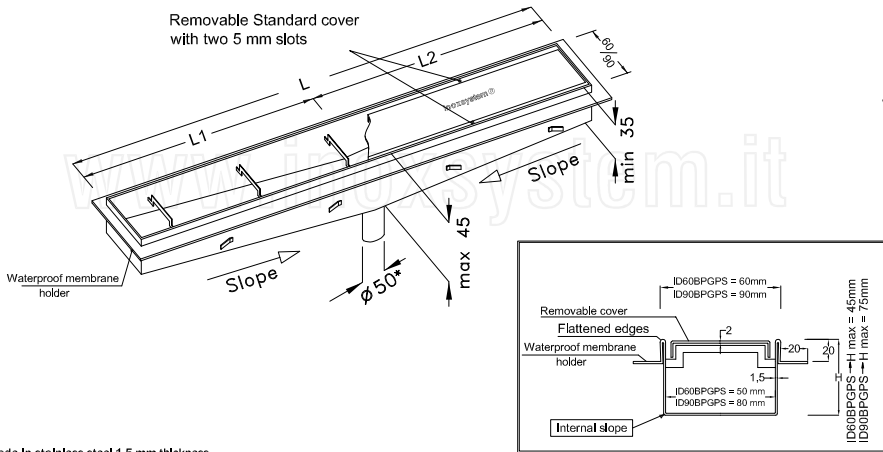
- Flange connection Art. "IDFL"
- Removable filter basket Art. "IDFE"

* all measures can be modified upon request

Dwg Inoxsystem®
3133

Art. CIDVBPGPS

N.B.: all measures are In mm



All made in stainless steel 1.5 mm thickness
Aisi 304/304L(EN 1.4301/1.4307) - Upon request Aisi 316/316L(EN 1.4401/1.4404)

Inoxsystem®

www.Inoxsystem.It - Info@Inoxsystem.It
LINEAR DRAIN "ITALIA IDrain" WITH DOUBLE SLOT
WITH DIRECT OUTLET Ø 50 mm WITHOUT ODOR TRAP
WITH FLATTENED EDGES
Vertical outlet on the head

Made of Art.:

- Italia IDrain channel with double slot Art. "ID60BPGPS"
- Italia IDrain channel with double slot Art. "ID90BPGPS"
- Vertical direct outlet Art. "IDSVID"
- Welded end cap Art. "IDTC"
- Further channel welding Art. "IDSC"

Upon request:

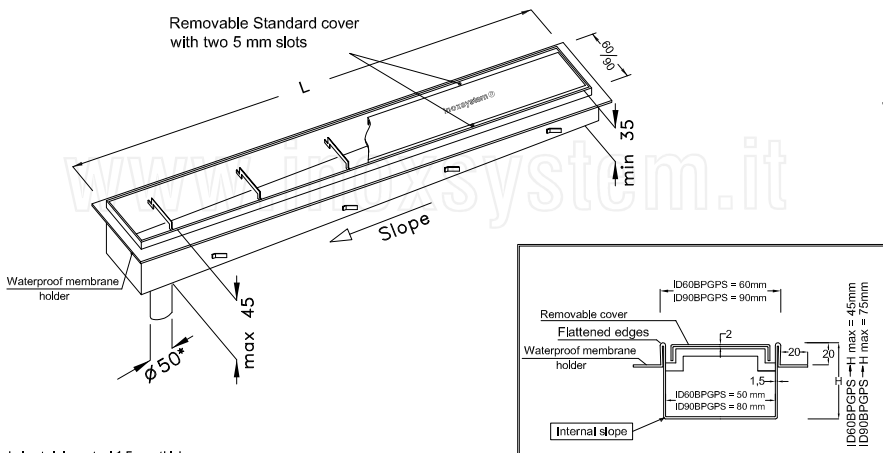
- Flange connection Art. "IDFL"
- Removable filter basket Art. "IDFE"

* all measures can be modified upon request

Dwg Inoxsystem®
3134

Art. CIDVTBPGPS

N.B.: all measures are In mm



All made in stainless steel 1.5 mm thickness
Aisi 304/304L(EN 1.4301/1.4307) - Upon request Aisi 316/316L(EN 1.4401/1.4404)

Inoxsystem®

www.Inoxsystem.It - Info@Inoxsystem.It
LINEAR DRAIN "ITALIA IDrain" WITH DOUBLE SLOT
WITH DIRECT OUTLET Ø 50 mm WITHOUT ODOR TRAP
WITH FLATTENED EDGES
Horizontal outlet in the center

Made of Art.:

- Italia IDrain channel with double slot Art. "ID60BPGPS"
- Italia IDrain channel with double slot Art. "ID90BPGPS"
- Horizontal direct outlet Art. "IDSLID"
- Welded end cap Art. "IDTC"
- Further channel welding Art. "IDSC"

Upon request:

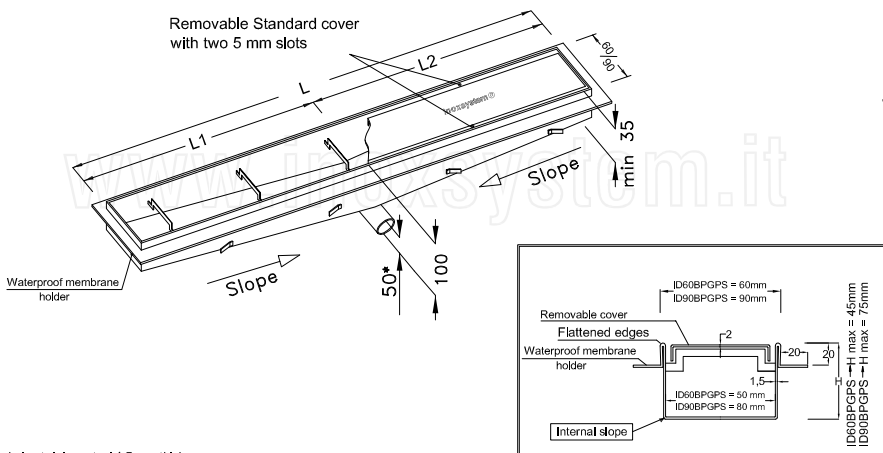
- Flange connection Art. "IDFL"
- Removable filter basket Art. "IDFE"

* all measures can be modified upon request

Dwg Inoxsystem®
3131

Art. CIDOBPGPS

N.B.: all measures are In mm



All made in stainless steel 1.5 mm thickness
Aisi 304/304L(EN 1.4301/1.4307) - Upon request Aisi 316/316L(EN 1.4401/1.4404)

Inoxsystem®

www.Inoxsystem.It - Info@Inoxsystem.It
LINEAR DRAIN "ITALIA IDrain" WITH DOUBLE SLOT
WITH DIRECT OUTLET Ø 50 mm WITHOUT ODOR TRAP
WITH FLATTENED EDGES
Horizontal outlet on the head

Made of Art.:

- Italia IDrain channel with double slot Art. "ID60BPGPS"
- Italia IDrain channel with double slot Art. "ID90BPGPS"
- Horizontal direct outlet Art. "IDSLID"
- Welded end cap Art. "IDTC"
- Further channel welding Art. "IDSC"

Upon request:

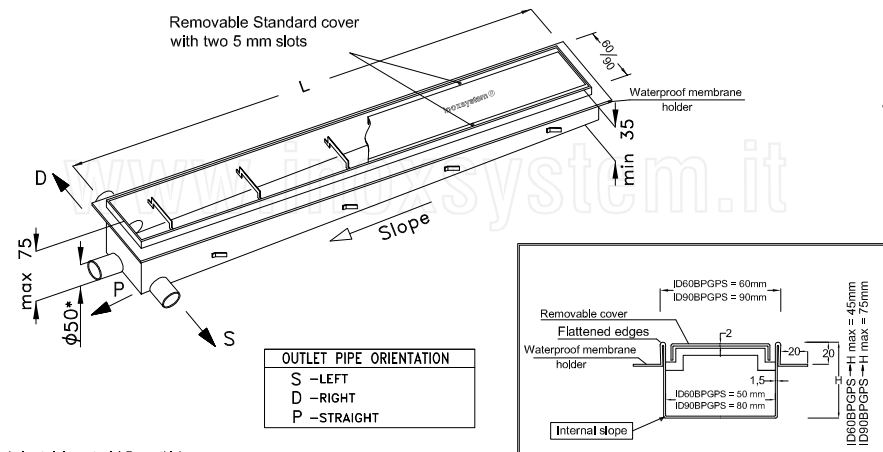
- Flange connection Art. "IDFL"
- Removable filter basket Art. "IDFE"

* all measures can be modified upon request

Dwg Inoxsystem®
3132

Art. CIDOTBPGPS

N.B.: all measures are In mm



All made in stainless steel 1.5 mm thickness
Aisi 304/304L(EN 1.4301/1.4307) - Upon request Aisi 316/316L(EN 1.4401/1.4404)