

Line
3120

www.inoxsystem.it

Linear drain "ITALIA Idrain" with double slot without edges outlet pipe without odor trap with filter basket, with tile insert cover Entirely made of Aisi 304 stainless steel (Aisi 316 Upon request)

Inoxsystem®

www.inoxsystem.it - info@inoxsystem.it
LINEAR DRAIN "ITALIA Idrain" WITHOUT EDGES
TILE INSERT COVER
WITHOUT ODOR TRAP WITH FILTER BASKET

Vertical outlet in the center

Made of Art.:

- Linear drain Italia Idrain Art. "ID54"
- Linear drain Italia Idrain Art. "ID84"
- Vertical direct outlet Art. "IDSVID"
- Welded end cap Art. "IDTC"
- Further channel welding Art. "IDSC"

Upon request:

- Connection flanges Art. "IDFL"
- Corner weld Art. "IDA90"

* all dimensions can be modified upon request

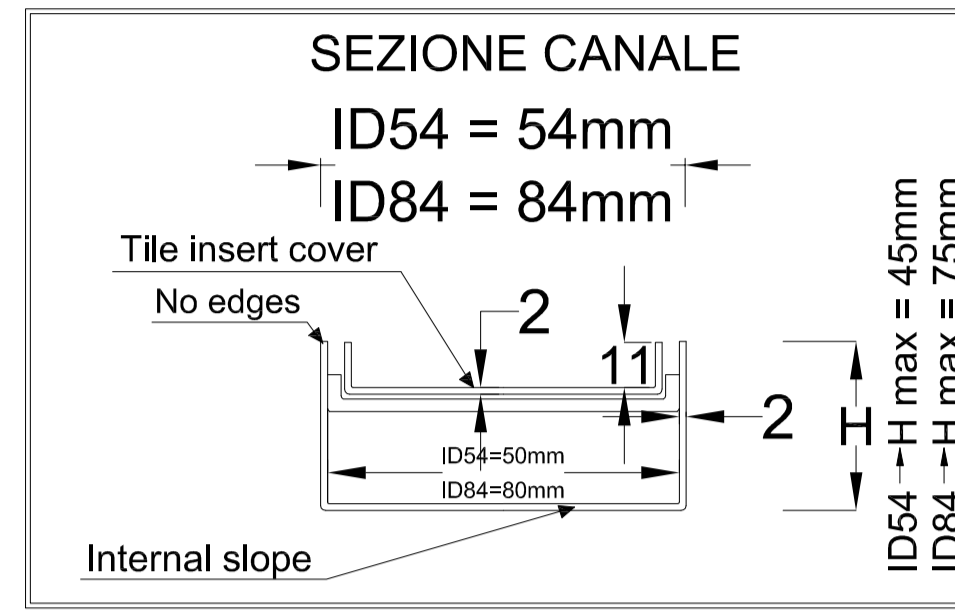
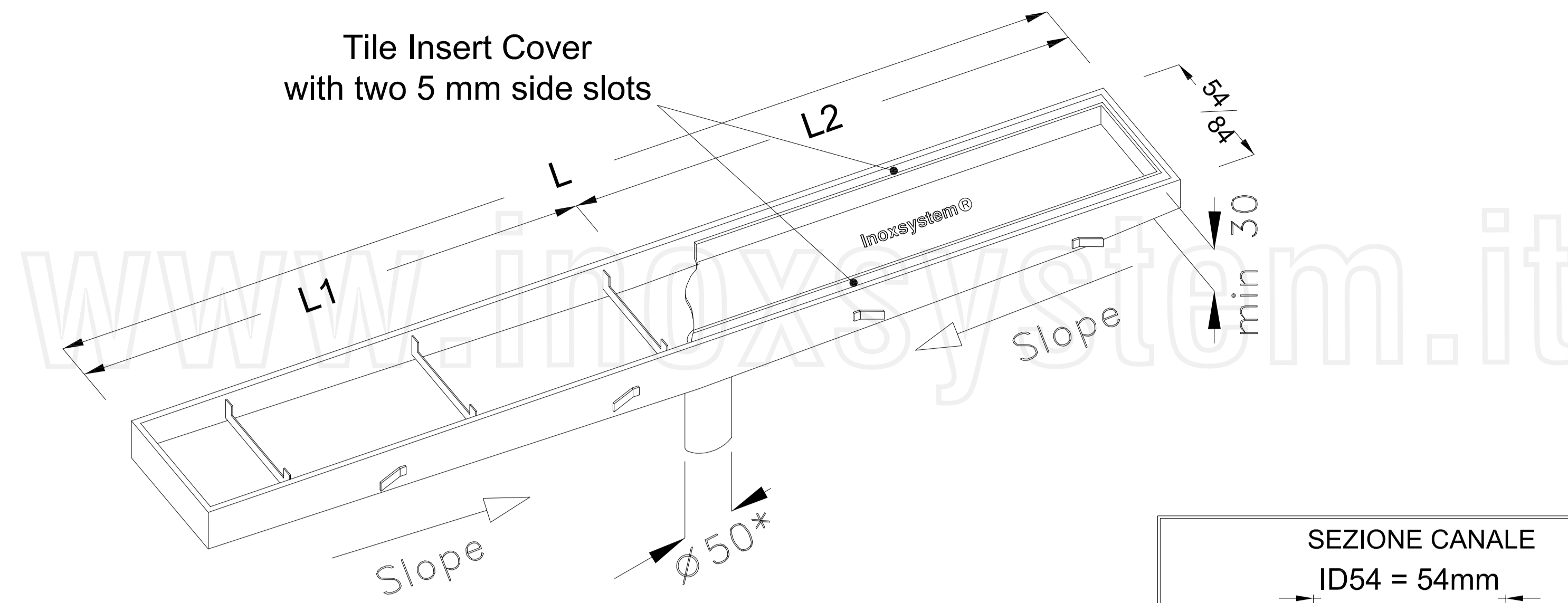
Dwg Inoxsystem®
3123

Art. CIDVP

Flow rate 12 lt/min
On request: - outlet with Ø 75 mm - flow rate 18 lt/min

Aisi 304 stainless steel (Aisi 316 on request) - Sheet thickness 1.5 mm

N.B.: dimensions in mm



Inoxsystem®

www.inoxsystem.it - info@inoxsystem.it
LINEAR DRAIN "ITALIA Idrain" WITHOUT EDGES
TILE INSERT COVER
WITHOUT ODOR TRAP WITH FILTER BASKET

Vertical outlet on the head

Made of Art.:

- Linear drain Italia Idrain Art. "ID54"
- Linear drain Italia Idrain Art. "ID84"
- Vertical direct outlet Art. "IDSVID"
- Welded end cap Art. "IDTC"

Upon request:

- Connection flanges Art. "IDFL"
- Corner weld Art. "IDA90"

* all dimensions can be modified upon request

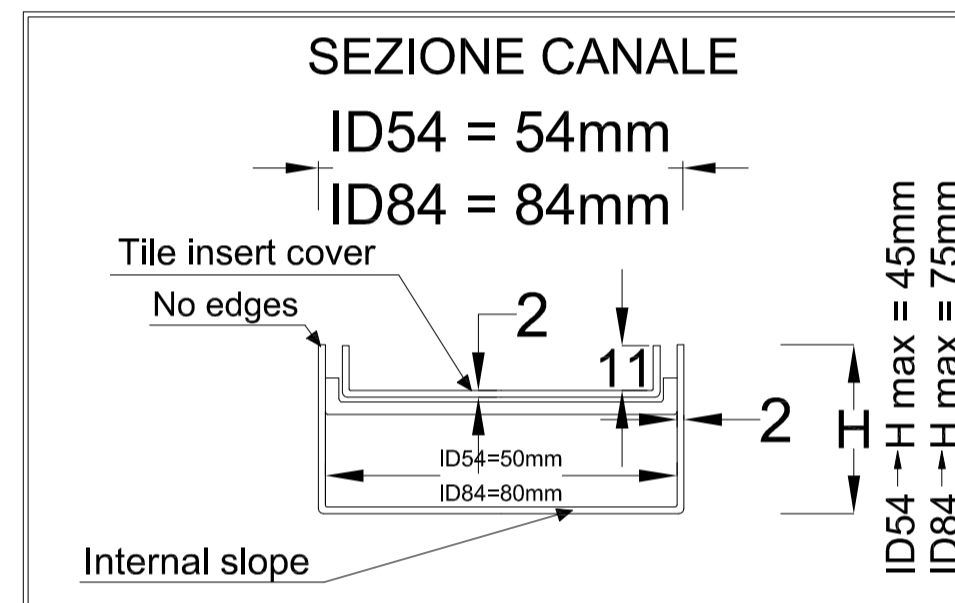
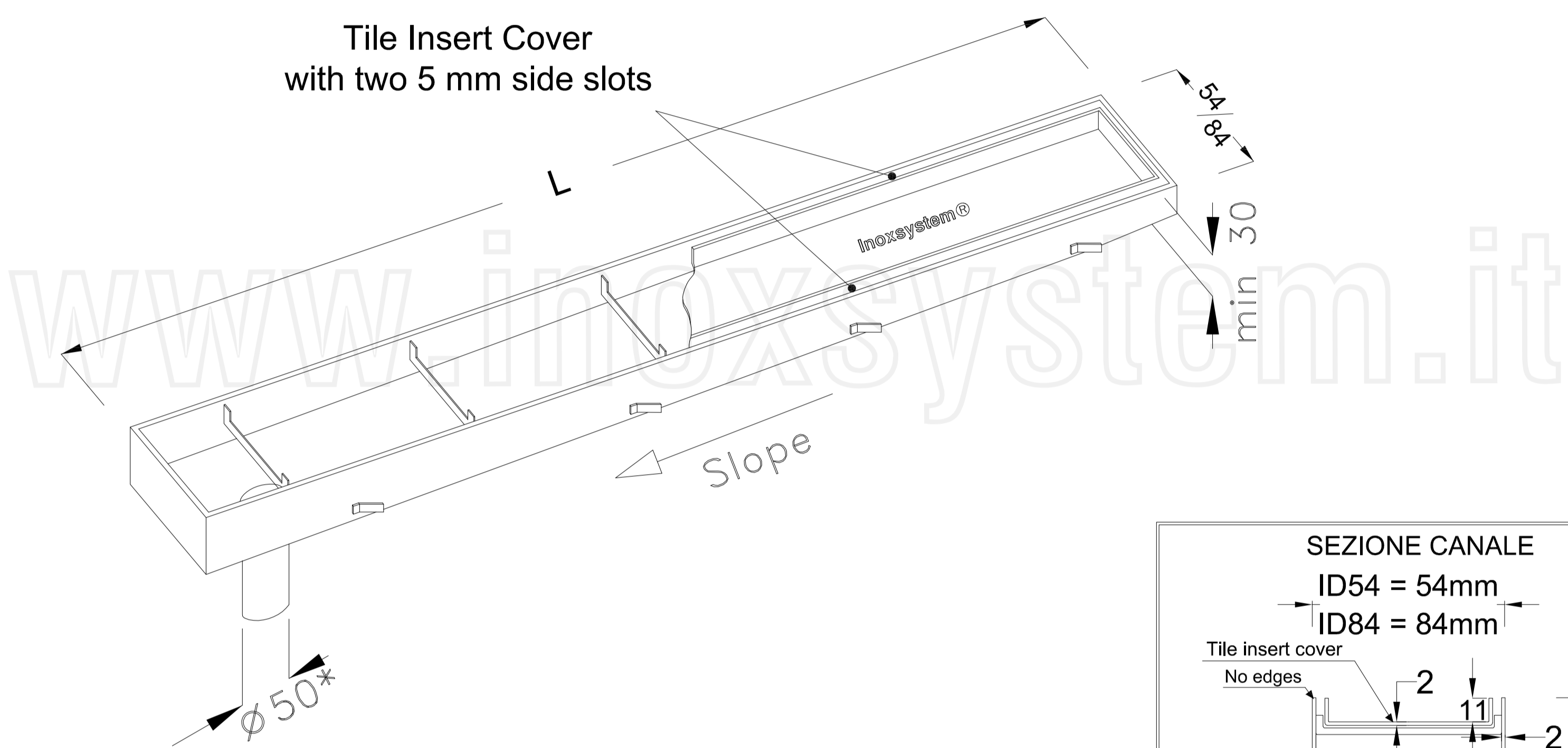
Dwg Inoxsystem®
3124

Art. CIDVTP

Flow rate 12 lt/min
On request: - outlet with Ø 75 mm - flow rate 18 lt/min

Aisi 304 stainless steel (Aisi 316 on request) - Sheet thickness 1.5 mm

N.B.: dimensions in mm



Inoxsystem®

www.inoxsystem.it - info@inoxsystem.it
LINEAR DRAIN "ITALIA Idrain" WITHOUT EDGES
TILE INSERT COVER
WITHOUT ODOR TRAP WITH FILTER BASKET

Horizontal outlet in the centre

Made of Art.:

- Linear drain Italia Idrain Art. "ID54"
- Linear drain Italia Idrain Art. "ID84"
- Horizontal direct outlet Art. "IDSLID"
- Welded end cap Art. "IDTC"
- Further channel welding Art. "IDSC"

Upon request:

- Connection flanges Art. "IDFL"
- Corner weld Art. "IDA90"

* all dimensions can be modified upon request

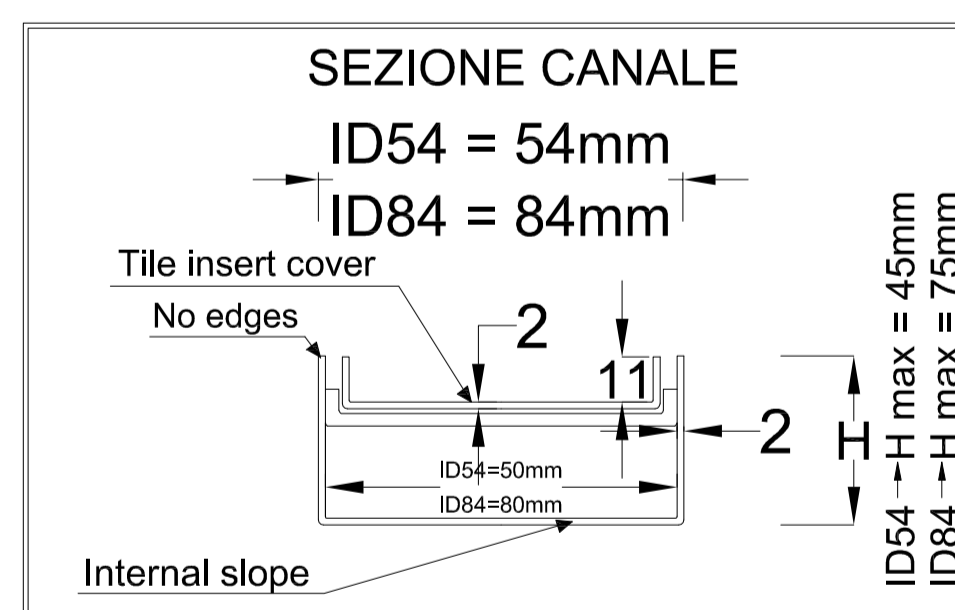
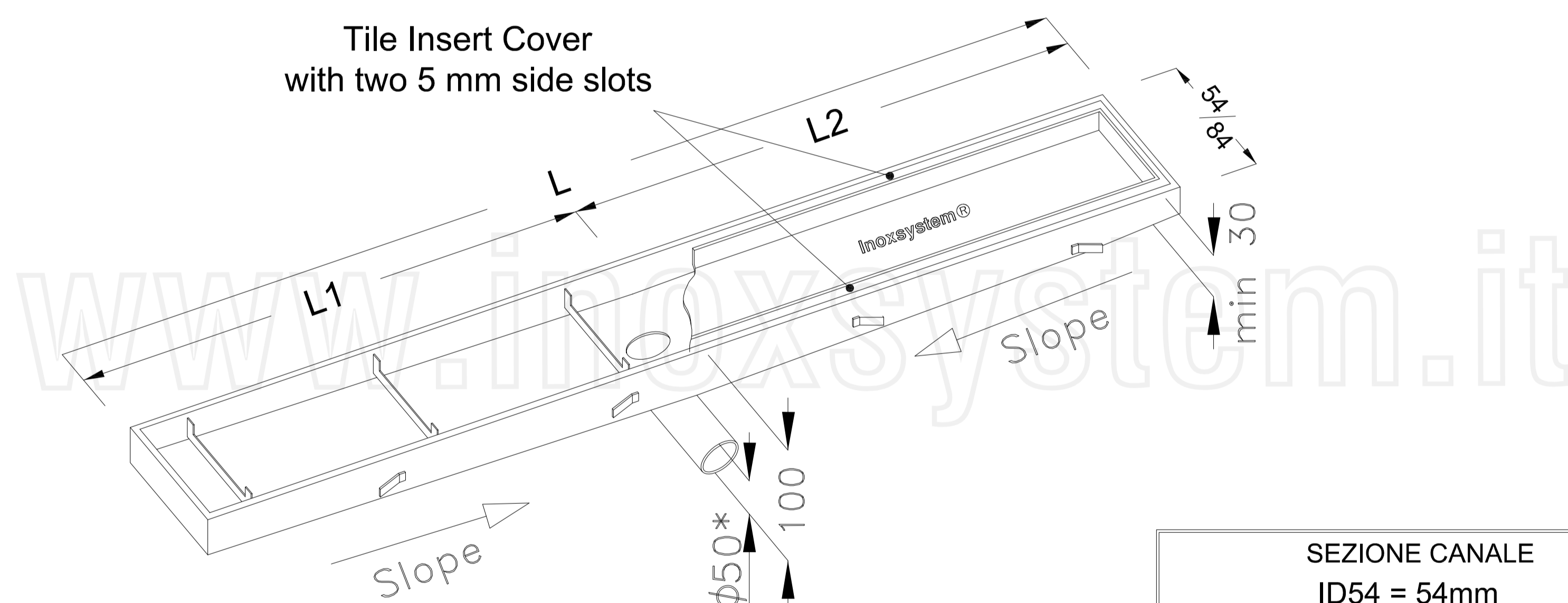
Dwg Inoxsystem®
3121

Art. CIDOP

Flow rate 18 lt/min
On request: - outlet with Ø 40 mm - with same flow rate

Aisi 304 stainless steel (Aisi 316 on request) - Sheet thickness 1.5 mm

N.B.: dimensions in mm



Inoxsystem®

www.inoxsystem.it - info@inoxsystem.it
LINEAR DRAIN "ITALIA Idrain" WITHOUT EDGES
TILE INSERT COVER
WITHOUT ODOR TRAP WITH FILTER BASKET

Horizontal outlet on the head

Made of Art.:

- Linear drain Italia Idrain Art. "ID54"
- Linear drain Italia Idrain Art. "ID84"
- Horizontal direct outlet Art. "IDSLID"
- Welded end cap Art. "IDTC"

Upon request:

- Connection flanges Art. "IDFL"
- Corner weld Art. "IDA90"

* all dimensions can be modified upon request

Dwg Inoxsystem®
3122

Art. CIDOTP

Flow rate 18 lt/min
On request: - outlet with Ø 40 mm - with same flow rate
- Other cover patterns available

Aisi 304 stainless steel (Aisi 316 on request) - Sheet thickness 1.5 mm

N.B.: dimensions in mm

