

Line
3040.85
www.inoxsystem.it

Linear drain "ITALIA Idrain" with double slot with waterproof membrane holder outlet pipe with odor trap and removable filter basket (IDrain type) Entirely made of Aisi 304 stainless steel (Aisi 316 Upon request)

Inoxsystem®

www.Inoxsystem.It - Info@Inoxsystem.It
LINEAR DRAIN "ITALIA Idrain" WITH DOUBLE SLOT
WATERPROOF MEMBRANE HOLDER
REMOVABLE ODOR TRAP AND FILTER BASKET
Vertical outlet in the center

Made of Art.:

- Linear drain Italia Art. "ID85BPG"
- Outlet pipe with removable odor trap and filter Art."IDSF50V" (ø 50)
- Outlet pipe with removable odor trap and filter Art."IDSF75V" (ø 75)
- Welded end cap Art. "IDTC"
- Further channel welding Art. "IDSC"

Upon request:

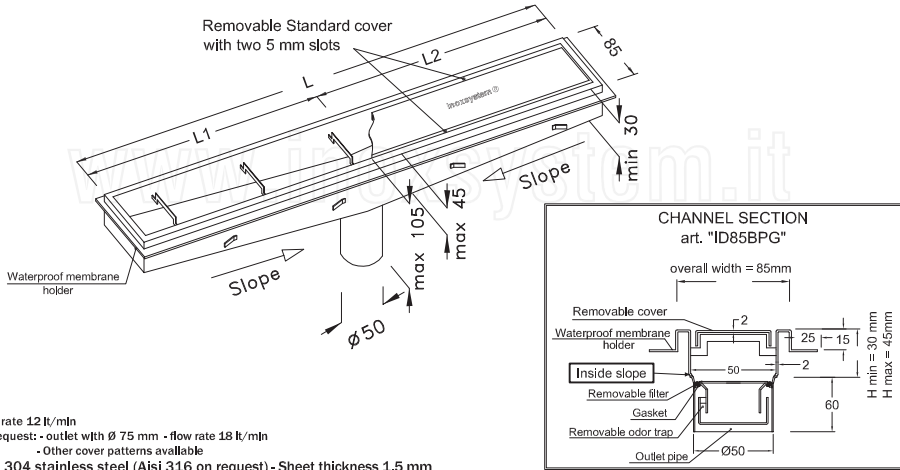
- Connection flanges Art. "IDFL"
- Corner weld Art. "IDA90"

* all dimensions can be modified upon request

Dwg Inoxsystem®
3043.85

Art. CISVBPB

N.B.: dimensions In mm



Flow rate 12 lt./min
On request: - outlet with ø 75 mm - flow rate 18 lt./min
- Other cover patterns available
Aisi 304 stainless steel (Aisi 316 on request) - Sheet thickness 1.5 mm

Inoxsystem®

www.inoxsystem.it - info@inoxsystem.it
LINEAR DRAIN "ITALIA Idrain" WITH DOUBLE SLOT
WATERPROOF MEMBRANE HOLDER
REMOVABLE ODOR TRAP AND FILTER BASKET
Vertical outlet on the head

Made of Art.:

- Linear drain Italia Art. "ID85BPG"
- Outlet pipe with removable odor trap and filter Art."IDSF50V" (ø 50)
- Outlet pipe with removable odor trap and filter Art."IDSF75V" (ø 75)
- Welded end cap Art. "IDTC"
- Further channel welding Art. "IDSC"

Upon request:

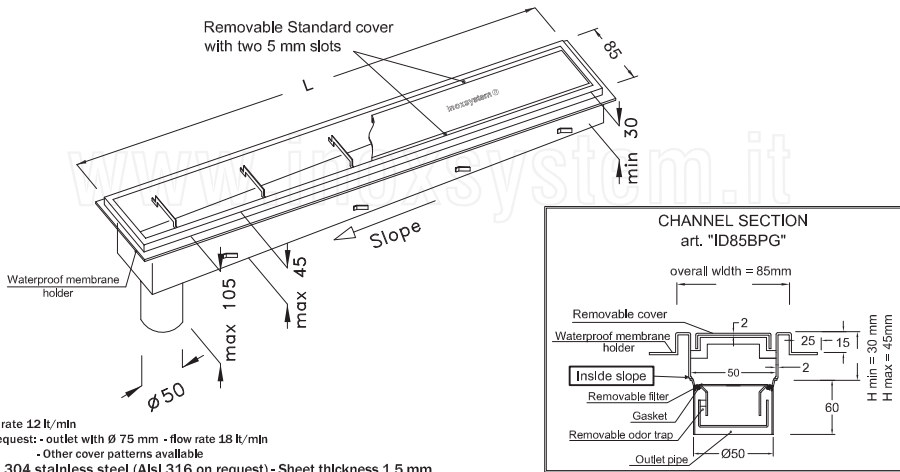
- Connection flanges Art. "IDFL"
- Corner weld Art. "IDA90"

* all dimensions can be modified upon request

Dwg Inoxsystem®
3044.85

Art. CISVTBPB

N.B.: dimensions In mm



Flow rate 12 lt./min
On request: - outlet with ø 75 mm - flow rate 18 lt./min
- Other cover patterns available
Aisi 304 stainless steel (Aisi 316 on request) - Sheet thickness 1.5 mm

Inoxsystem®

www.Inoxsystem.It - Info@Inoxsystem.It
LINEAR DRAIN "ITALIA Idrain" WITH DOUBLE SLOT
WATERPROOF MEMBRANE HOLDER
REMOVABLE ODOR TRAP AND FILTER BASKET
Horizontal outlet on the head

Made of Art.:

- Linear drain Italia Art. "ID85BPG"
- Outlet pipe with removable odor trap and filter Art."IDSF40L" (ø 40)
- Outlet pipe with removable odor trap and filter Art."IDSF50L" (ø 50)
- Welded end cap Art. "IDTC"
- Further channel welding Art. "IDSC"

Upon request:

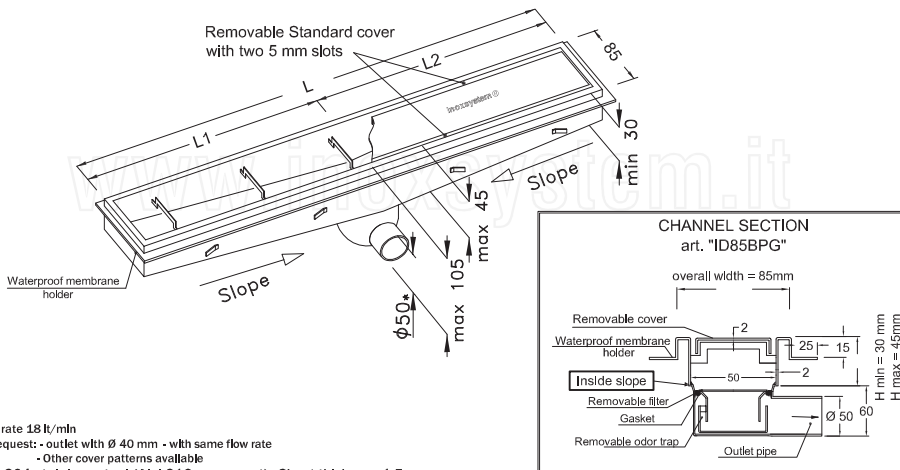
- Connection flanges Art. "IDFL"
- Corner weld Art. "IDA90"

* all dimensions can be modified upon request

Dwg Inoxsystem®
3041.85

Art. CISOBPB

N.B.: dimensions In mm



Flow rate 18 lt./min
On request: - outlet with ø 40 mm - with same flow rate
- Other cover patterns available
Aisi 304 stainless steel (Aisi 316 on request) - Sheet thickness 1.5 mm

Inoxsystem®

www.inoxsystem.it - info@inoxsystem.it
LINEAR DRAIN "ITALIA Idrain" WITH DOUBLE SLOT
WATERPROOF MEMBRANE HOLDER
REMOVABLE ODOR TRAP AND FILTER BASKET
Horizontal outlet on the head

Made of Art.:

- Linear drain Italia Art. "ID85BPG"
- Outlet pipe with removable odor trap and filter Art."IDSF40L" (ø 40)
- Outlet pipe with removable odor trap and filter Art."IDSF50L" (ø 50)
- Welded end cap Art. "IDTC"
- Further channel welding Art. "IDSC"

Upon request:

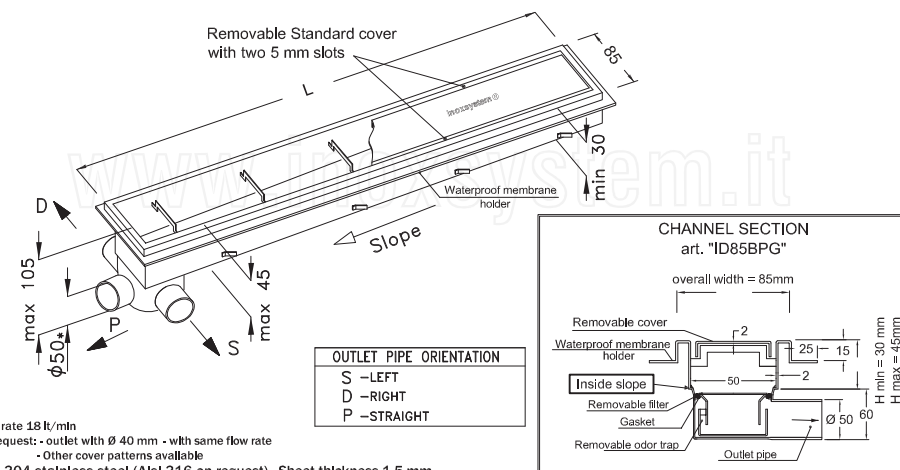
- Connection flanges Art. "IDFL"
- Corner weld Art. "IDA90"

* all dimensions can be modified upon request

Dwg Inoxsystem®
3042.85

Art. CISOTBPB

N.B.: dimensions In mm



Flow rate 18 lt./min
On request: - outlet with ø 40 mm - with same flow rate
- Other cover patterns available
Aisi 304 stainless steel (Aisi 316 on request) - Sheet thickness 1.5 mm