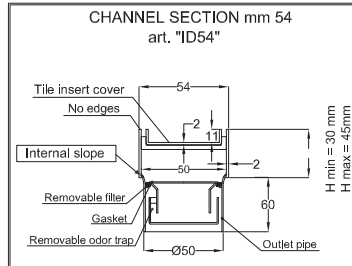
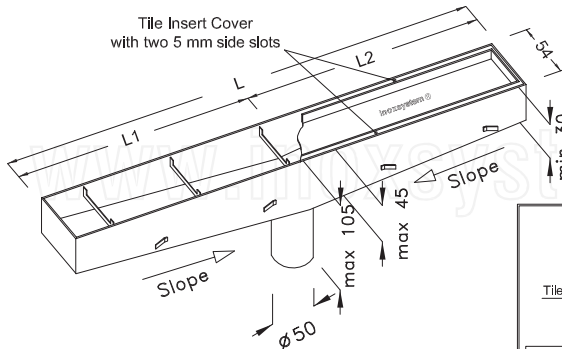


Line
3020.54
www.inoxsystem.it

Linear drain "ITALIA Idrain" with double slot without edges
outlet pipe with odor trap and removable filter basket, with tile insert cover (IDrain type)
Entirely made of Aisi 304 stainless steel (Aisi 316 Upon request)



Inoxsystem®

www.Inoxsystem.It - Info@Inoxsystem.It
LINEAR DRAIN "ITALIA Idrain" WITHOUT EDGES
TILE INSERT COVER
REMOVABLE ODOR TRAP AND FILTER BASKET

Vertical outlet in the center

Made of Art.:

- Linear drain Italia Idrain Art. "ID54"
- Outlet pipe with removable odor trap and filter Art."IDSFE50V" (=Ø 50)
- Outlet pipe with removable odor trap and filter Art."IDSFE75V" (=Ø 75)
- Welded end cap Art. "IDTC"
- Further channel welding Art. "IDSC"

Upon request:

- Connection flanges Art. "IDFL"
- Corner weld Art. "IDA90"

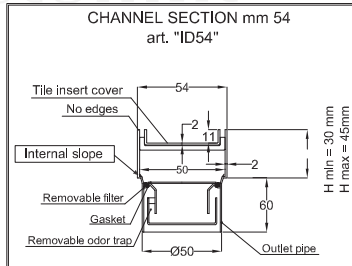
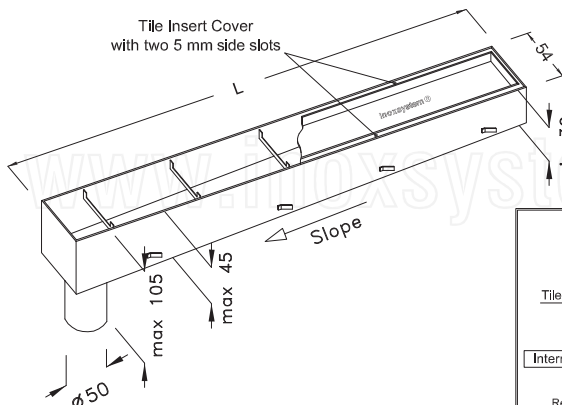
* all dimensions can be modified upon request

Dwg Inoxsystem®
3023.54

Art. CISVP

N.B.: dimensions in mm

Flow rate 12 lt./min
On request: - outlet with Ø 75 mm - flow rate 18 lt./min
- Other cover patterns available
AISI 304 stainless steel (AISI 316 on request) - Sheet thickness 1.5 mm



Inoxsystem®

www.Inoxsystem.it - Info@Inoxsystem.it
LINEAR DRAIN "ITALIA Idrain" WITHOUT EDGES
TILE INSERT COVER
REMOVABLE ODOR TRAP AND FILTER BASKET

Vertical outlet on the head

Made of Art.:

- Linear drain Italia Idrain Art. "ID54"
- Outlet pipe with removable odor trap and filter Art."IDSFE50V" (=Ø 50)
- Outlet pipe with removable odor trap and filter Art."IDSFE75V" (=Ø 75)
- Welded end cap Art. "IDTC"
- Further channel welding Art. "IDSC"

Upon request:

- Connection flanges Art. "IDFL"
- Corner weld Art. "IDA90"

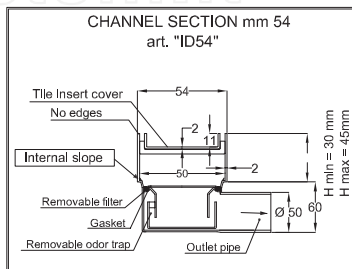
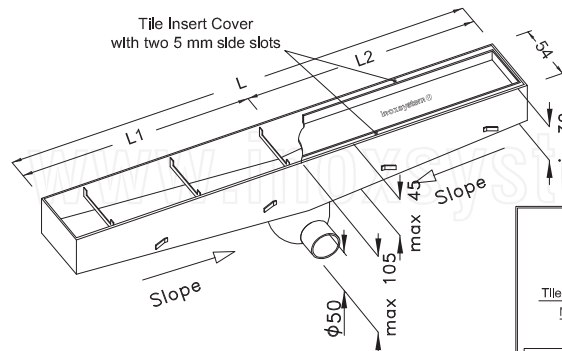
* all dimensions can be modified upon request

Dwg Inoxsystem®
3024.54

Art. CISVTP

N.B.: dimensions in mm

Flow rate 12 lt./min
On request: - outlet with Ø 75 mm - flow rate 18 lt./min
- Other cover patterns available
AISI 304 stainless steel (AISI 316 on request) - Sheet thickness 1.5 mm



Inoxsystem®

www.Inoxsystem.It - Info@Inoxsystem.It
LINEAR DRAIN "ITALIA Idrain" WITHOUT EDGES
TILE INSERT COVER
REMOVABLE ODOR TRAP AND FILTER BASKET

Horizontal outlet in the centre

Made of Art.:

- Linear drain Italia Idrain Art. "ID54"
- Outlet pipe with removable odor trap and filter Art."IDSFE40L" (=Ø 40)
- Outlet pipe with removable odor trap and filter Art."IDSFE50L" (=Ø 50)
- Welded end cap Art. "IDTC"
- Further channel welding Art. "IDSC"

Upon request:

- Connection flanges Art. "IDFL"
- Corner weld Art. "IDA90"

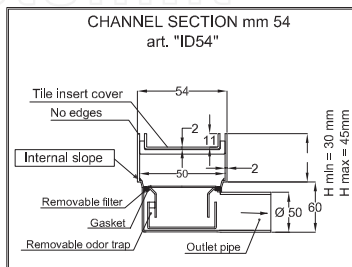
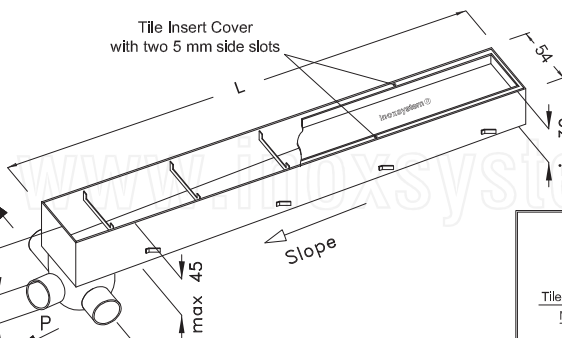
* all dimensions can be modified upon request

Dwg Inoxsystem®
3021.54

Art. CISOP

N.B.: dimensions in mm

Flow rate 18 lt./min
On request: - outlet with Ø 40 mm - with same flow rate
- Other cover patterns available
AISI 304 stainless steel (AISI 316 on request) - Sheet thickness 1.5 mm



Inoxsystem®

www.inoxsystem.it - info@inoxsystem.it
LINEAR DRAIN "ITALIA Idrain" WITHOUT EDGES
TILE INSERT COVER
REMOVABLE ODOR TRAP AND FILTER BASKET

Horizontal outlet on the head

Made of Art.:

- Linear drain Italia Idrain Art. "ID54"
- Outlet pipe with removable odor trap and filter Art."IDSFE40L" (=Ø 40)
- Outlet pipe with removable odor trap and filter Art."IDSFE50L" (=Ø 50)
- Welded end cap Art. "IDTC"
- Further channel welding Art. "IDSC"

Upon request:

- Connection flanges Art. "IDFL"
- Corner weld Art. "IDA90"

* all dimensions can be modified upon request

Dwg Inoxsystem®
3022.54

Art. CISOTP

N.B.: dimensions in mm

Flow rate 18 lt./min
On request: - outlet with Ø 40 mm - with same flow rate
- Other cover patterns available
AISI 304 stainless steel (AISI 316 on request) - Sheet thickness 1.5 mm

OUTLET PIPE ORIENTATION	
S	- LEFT
D	- RIGHT
P	- STRAIGHT